



HTC 450

EN	Operator's manual	2-20
ES-MX	Manual del usuario	21-40
FR-CA	Manuel d'utilisation	41-59

---

# Contents

---

Introduction.....	2	Troubleshooting.....	16
Safety.....	4	Transportation and storage.....	17
Operation.....	7	Technical data.....	19
Maintenance.....	15		

---

## Introduction

---

### Owner responsibility

---



**WARNING:** Cutting, especially when DRY cutting, generates dust that comes from the material being cut, which frequently contains silica. Silica is a basic component of sand, quartz, brick clay, granite and numerous other minerals and rocks. Exposure to excessive amount of such dust can cause:

Respiratory disease (affecting your ability to breath), including chronic bronchitis, silicosis and pulmonary fibrosis from exposure to silica. These diseases may be fatal;

Skin irritation and rash.

Cancer according to NTP\* and IARC\* \*/ National Toxicology Program, International Agency for Research on Cancer.

Take precautionary steps:

Avoid inhalation of and skin contact with dust, mist and fumes.

Wear and ensure that all bystanders wear appropriate respiratory protection such as dust masks designed to filter out microscopic particles. (See OSHA 29 CFR Part 1926.1153)

To minimize dust emissions, wet cut when feasible. If dry cutting is necessary, use an appropriate dust extractor.

---

It is the owner's/employer's responsibility that the operator has sufficient knowledge about how to use the product safely. Supervisors and operators must have read and understood the Operator's Manual. They must be aware of:

- The products's safety instructions.
- The products's range of applications and limitations.
- How the product is to be used and maintained.

National/Local regulations could restrict the use of this product. Find out what regulations are applicable where you work before you start using the product.

### Product description

The product is a power grinder for concrete surfaces of different hardness. The grind range is from rough surfaces through to smoother finish.

For example, the product has these functions:

- A frame that can be folded for easier transport.
- A grinding head cover that adjusts the movement to the surface layer.
- The tool plate is 3 grinding discs. Full set is with 3 segments on each grinding disc.
- Resin holder, a holder for plastic bonded diamond tools.
- The power plug can be changed to 1-phase or 3-phase.
- A grind area of 450 mm.

### Intended use

Use the product to grind concrete surfaces with different hardness such as terazzo and stone tiles.

The product is used for light commercial operations at private properties and small commercial spaces.

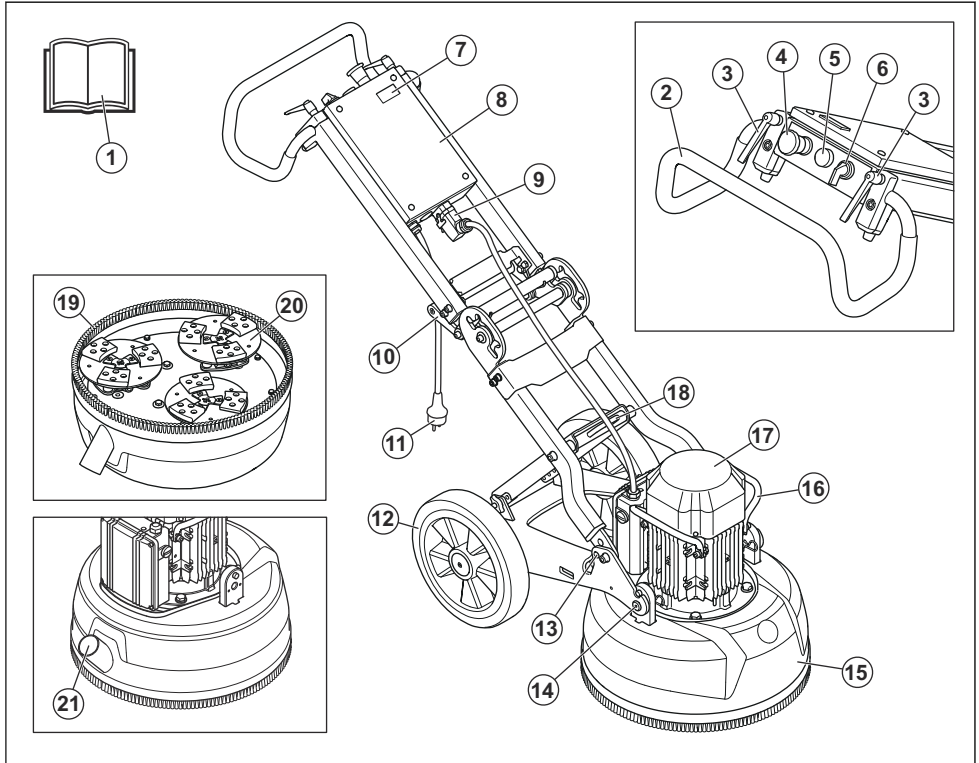
---



**WARNING:** Do not use the product for other tasks.

---

## Product overview



1. Operator's manual
2. Handle/Handlebar
3. Lock knobs for handlebar adjustment
4. Emergency stop
5. Overload lamp
6. ON/OFF switch
7. Hour meter
8. Electrical enclosure
9. Connection for motor cable
10. Angle joint handle
11. Power plug
12. Rubber wheels
13. Lock function
14. Lock bolt to attach the motor/grinding head
15. Grinding head cover
16. Lift handle, motor
17. Electric motor
18. Lifting eye
19. Brush strip
20. Tool plate - 3 grinding discs
21. Connection, vacuum hose

## Symbols on the product



**WARNING:** Not careful or incorrect use can result in injury or death to the operator or others.



Read the manual carefully and make sure that you understand the instructions before you use the product.



Always put on hearing protection, eye protection and breathing protection.



**WARNING!** The dust can cause breathing problems. Use breathing protection. Do not breathe exhaust fumes. Always make sure that there is good airflow.

**Note:** Other symbols/decals on the product refer to special certification requirements for some markets.

## Product liability

As referred to in the product liability laws, we are not liable for damages that our product causes if:

- the product is incorrectly repaired.
- the product is repaired with parts that are not from the manufacturer or not approved by the manufacturer.

- the product has an accessory that is not from the manufacturer or not approved by the manufacturer.
- the product is not repaired at an approved service center or by an approved authority.

---

## Safety

---

### Safety definitions

Warnings, cautions and notes are used to point out specially important parts of the manual.



**WARNING:** Used if there is a risk of injury or death for the operator or bystanders if the instructions in the manual are not obeyed.



**CAUTION:** Used if there is a risk of damage to the product, other materials or the adjacent area if the instructions in the manual are not obeyed.

**Note:** Used to give more information that is necessary in a given situation.

### General safety instructions



**WARNING:** Read the warning instructions that follow before you use the product. Save all warnings and instructions. Refer to the warnings and instructions for future work, if it is necessary.

- The safety section gives basic directions on how to use the product correctly. This information is not an alternative for professional knowledge and experience. If you are in a situation where you do not feel safe, stop and get professional support. Speak to your dealer, service agent or an operator with experience. Do not try a task where you do not feel sure.
- Keep work area clean and bright, this will decrease the risk of accidents.

### Safety instructions for operation



**WARNING:** Read the warning instructions that follow before you use the product. Save all warnings and instructions for future operations.



**WARNING:** Overexposure to vibration can cause circulatory damage or nerve damage to persons with decreased blood circulation. Get medical aid if you have symptoms of

overexposure to vibration. These symptoms include numbness, loss of feeling, tingling, pricking, pain, loss of strength, changes in skin color or condition. These symptoms usually show in the fingers, hands or wrists.

- Only use the product for operations that are given in this manual. Refer to *Intended use on page 2*.
- Use personal protective equipment. Refer to *Personal protective equipment on page 5*.
- Do not go away from the product when the motor is on.
- Connect the motor cable to the electrical enclosure before you connect the plug.
- Do not let other operators use the product if they have not read and understood the contents of this operators manual.
- Only start the product with the brush strip attached. Brush strip must seal tightly to the surface, especially during dry surface operations.
- Make sure that the brush strip is not damaged and is clean. Replace damaged brush strip.
- Keep the motor on until the fan comes to a complete stop.
- Lift the grinding head if a check of the start procedure is necessary.
- Only start the product when the grinding head is put on the surface.
- Make sure that only approved persons are in the work area.
- Do not use the product in areas where fire or explosions can occur.
- Always disassemble the diamond tool after each operation.
- Make sure that the tool plate does not rotate if you lift up the product. The tool plate continues to rotate for a while after the motor stops.
- When you remove diamond tools, let the product become cool and use protective gloves. Diamond tools are very hot after use.
- Make sure to connect the product to a dust extractor for removal of the dust.
- Make sure that the product is assembled correctly.
- To lift the product always use the lifting eye of the product.
- Do not use the product if there are signs of damage.

- Only start the product when the grinding head touches the surface, unless you do a check of the ON/OFF switch.
- Only operate the product from behind with your 2 hands on the handle.
- Do not operate the product unless you receive training before use. Make sure that all operators receive training.
- Make sure that only approved persons are in the work area, because there is a risk of serious injury.
- Make sure that clothing, long hair and jewelry do not get caught in moving parts.
- Make sure that you are in a safe and stable position during operation.
- Sudden appearance of persons and animals can prevent safe operation of the product. Always operate the product carefully and be prepared to stop the product if it is necessary.
- Do not let children use or come near the product.
- Make sure that there is always one more person near when you use the product. If an accident occurs, you can receive help when it is necessary.
- Do not operate this product when you are tired, ill, or if you use alcohol, drugs or medicine. This can decrease your vision, your judgment or your coordination.
- Do not use a product that has been changed from its factory specification.
- Always use approved accessories. Speak to your dealer for more information.

## Personal protective equipment



**WARNING:** Read the warning instructions that follow before you use the product.

- Always use correct personal protective equipment when you operate the product. The personal protective equipment does not erase the risk of injury. The personal protective equipment decreases the grade of injury if an accident occurs. Let your dealer help you select the right equipment.
- Use approved eye protection while you operate the product.
- Do not use loose, heavy and not applicable clothing. Use clothes that let you move freely.
- Use approved protective gloves that enables a solid hold.
- Use rubber protective gloves that prevents skin irritation from wet concrete.
- Use an approved protective helmet.
- Always use approved hearing protection while you operate the product. Noise for a long period can cause noise-induced hearing loss.
- The product makes dust and fumes that contain dangerous chemicals. Use an approved breathing protection.
- Use boots with steel toe-caps and non-slip soles.

- Make sure that you have a first aid kit near.
- Sparks can occur when you operate the product. Make sure that you have a fire extinguisher near.

## Electrical safety



**WARNING:** There is always a risk of shocks from electrical products. Do not use the product in bad weather conditions. Do not touch lightning conductors and metal objects. Always use the product as given in this operator's manual to prevent injury.



**CAUTION:** The product obeys the requirements in EN61000-3-11 and is a subject for conditional connection to the power mains. Speak with the supply authority for instructions on how to connect the product.

Only connect the product to the power mains with resistance lower than 0.28  $\Omega$ . Get the interface point of the system resistance from the supply authority.

If the power mains has higher system resistance, short voltage drop can occur when the product is started. This can influence the operation of other products, for example flicker on the lights.

- Make sure that the power, fuse and mains voltage are the same as the voltage shown on the rating plate of the product.
- Always stop the product before you disconnect the power plug.
- Do not use the product if the cord or plug is damaged. Hand it in to an approved service center for repair. A damaged cable can cause serious injury and death.
- Use the cord correctly. Do not use the cord to move, pull or disconnect the product. Hold the plug to disconnect the power cord.
- Do not operate the product in water depths where the equipment of the product gets wet. The equipment can be damaged and the product can become live and cause injury.
- Do not get more moisture into the product than that is supplied by the water system. Prevent rain to come in touch with the product. Water that enters a power tool increases the risk of electrical shock.
- Always have the power cord disconnected when you connect or disconnect the connection for the motor cable and the electrical enclosure.

## Grounded product instructions



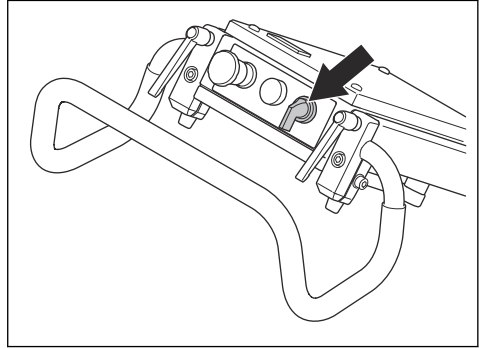
**WARNING:** Incorrect connection can result in electrical shock. Speak to an approved electrician if you are not sure if the product is correctly grounded.

Do not change the power plug from its factory specification. If the power plug is not correct for the mains outlet, let an approved electrician install a correct mains outlet. Obey local regulations and laws.

If you do not fully understand the instructions about the grounded product, speak to an approved electrician.

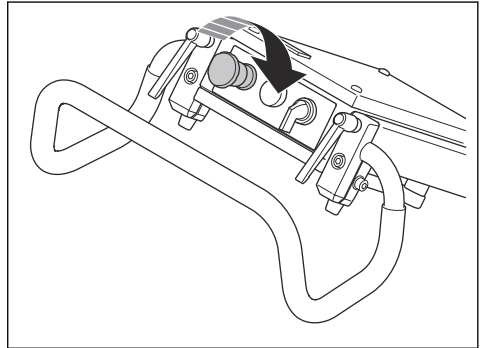
## ON/OFF switch

The ON/OFF switch is used to start and stop the product.

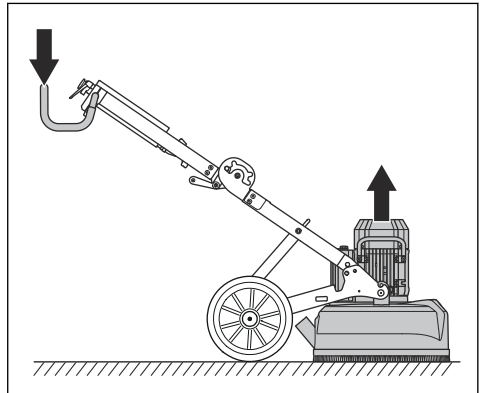


### To do a check of the ON/OFF switch

1. Turn the emergency stop button clockwise to make sure that emergency stop button is disengaged.



2. Push down the handle to lift the grinding head from the floor.



The product has a grounded cord and power plug. Always connect the product to a grounded mains outlet. This decreases the risk of electrical shock if there is a malfunction.

Do not use adapters with the product.

## Extension cables

- The mark on the extension cable must be the same or higher than the value written on the rating plate of the product.
- Use grounded extension cables.
- When you operate a power tool outdoor, use extension cable that is applicable for outdoor operation. Use of a power cord applicable for outdoor operations decreases the risk of electrical shock.
- Keep the connection to the extension cable dry and off the ground.
- Keep cable away from heat, oil, sharp edges or moving parts. Damaged or too large cable increases the risk of electrical shock.
- Check that the cables are not damaged and in good condition. Do not use the product if a cable is damaged. Let an approved service center repair the product.
- To prevent overheating, do not use the extension cable while it is folded.
- Make sure that the power cord is behind you when you use the product. This is to prevent damage to the power cord.
- If you use an extension cable, use only approved extension cables with sufficient length.

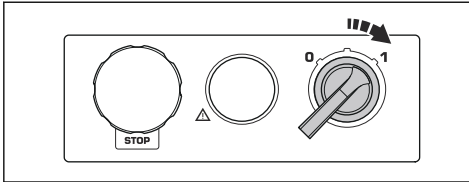
## Safety devices on the product



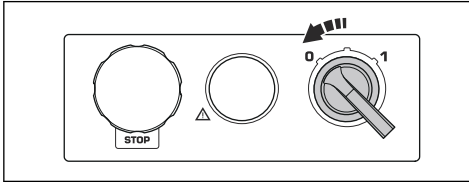
**WARNING:** Read the warning instructions that follow before you use the product.

- Do not use a product with defective safety devices.
- Do a check of the safety devices regularly, refer to *Daily maintenance on page 15*. If the safety devices are defective, speak to your HTC Floor Systems approved service agent.
- Do not change the safety devices.

3. Turn the ON/OFF switch to 1 to start the product.

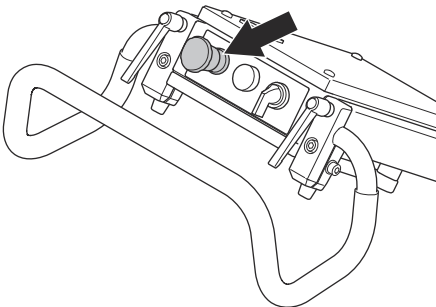


4. Wait for 5 seconds, this is to let the product operate at the idle speed.
5. Turn the ON/OFF switch to 0 to stop the product.



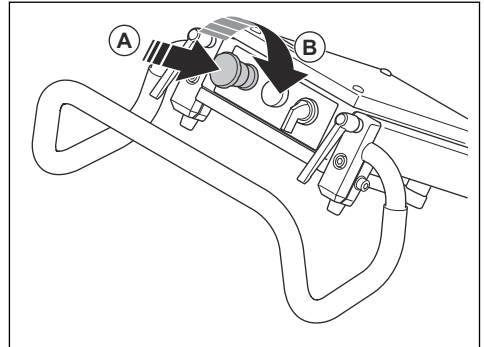
### Emergency stop

The emergency stop is used to quickly stop the motor. The emergency stop at the product breaks the mains power supply.



### To do a check of the emergency stop

1. Push the emergency stop button (A) and make sure that the motor stops.



2. Turn the emergency stop button clockwise (B) to disengage.

### Safety instructions for maintenance

- Keep all parts in good condition and make sure that all fixtures are correctly tightened.
- Do not use a product that is defective. Do the safety checks, maintenance and the servicing as given in this manual. All other maintenance work must be done by an approved service agent.
- Stop the product when you replace the diamond tools. Turn the ON/OFF switch to 0 and push the emergency stop button.
- Do the inspection and/or maintenance with the motor stopped and the power plug disconnected.
- Do the maintenance to make sure that the product operates correctly. Refer to *Daily maintenance on page 15*

---

## Operation

---

### Introduction

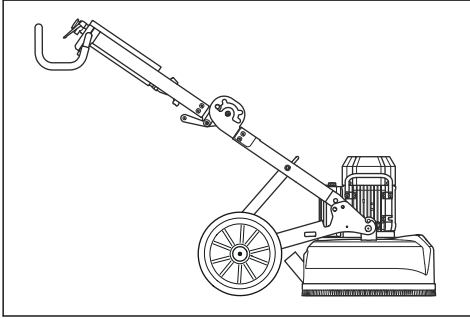


**WARNING:** Before you operate the product, you must read and understand the safety chapter.

---

## Product positions

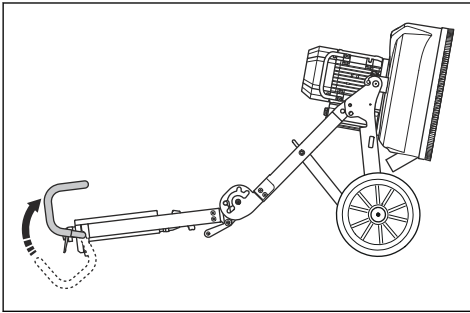
### Operation position



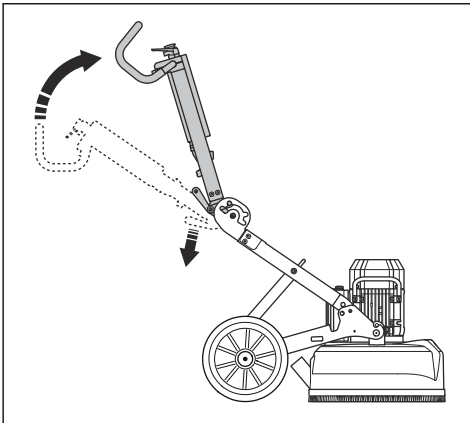
### Servicing position



**CAUTION:** Only put the product in the servicing position on a horizontal surface.

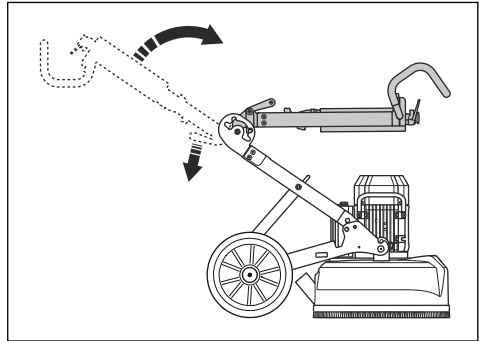


### Tilted transport position



### Lift transport position

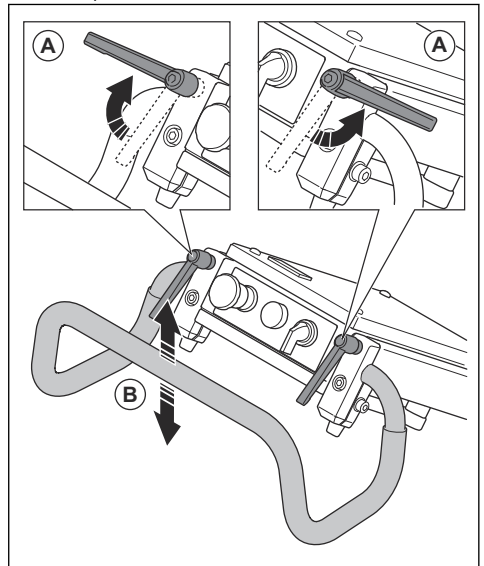
Put a protection between the motor and the electrical enclosure to prevent damage to the product.



### To adjust the handlebar

The handle lock knobs are operated clockwise, counterclockwise or put in idle position.

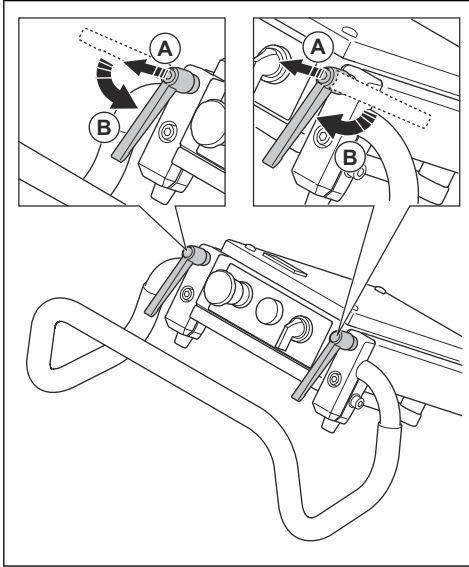
1. Loosen the lock knobs (A) and adjust the handle (B) to idle position.



2. Tighten the lock knobs to set the position.



3. When the handle position is set, pull the handle lock knobs up (A) and put them into idle position (B).

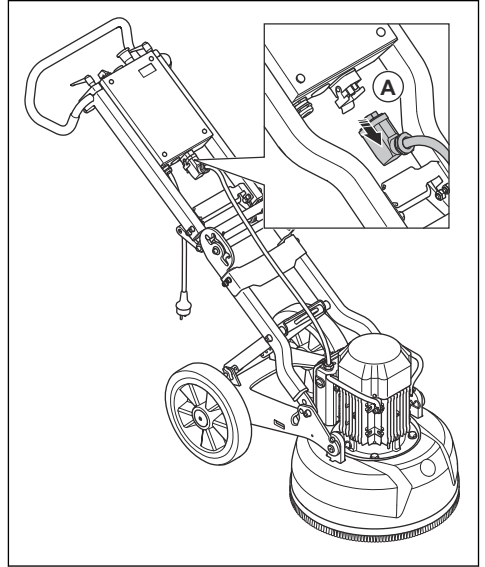


### To adjust the frame height

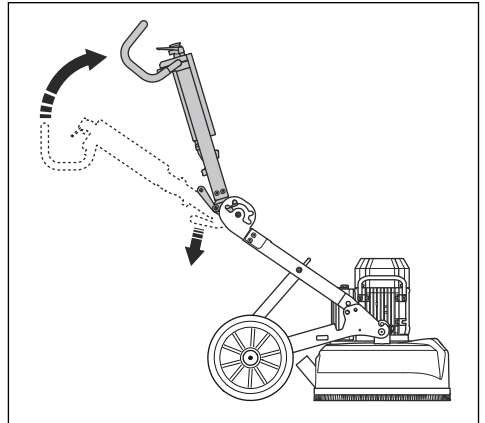
The angle of the frame can be changed to divide the weight of the chassis. This is to decrease or increase the grinding pressure against the surface.

Adjust the angle to set up a good work position for different operators.

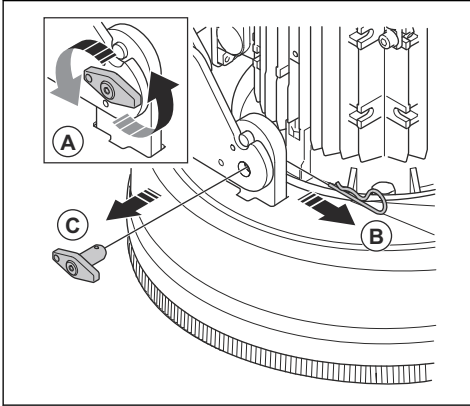
1. Disconnect the motor cable (A) from the electrical enclosure.



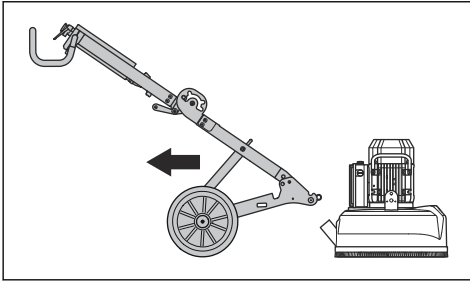
2. Push the handle on the central hinge and at the same time fold the top frame forward to transport position.



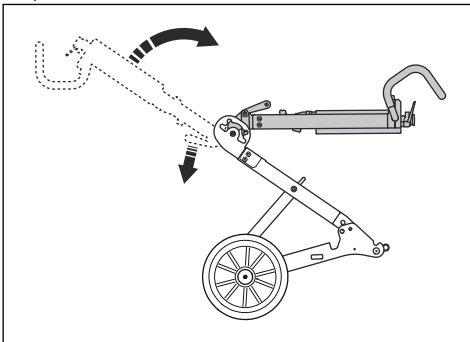
3. Loosen the lock bolts (A) some turns to release the pressure.



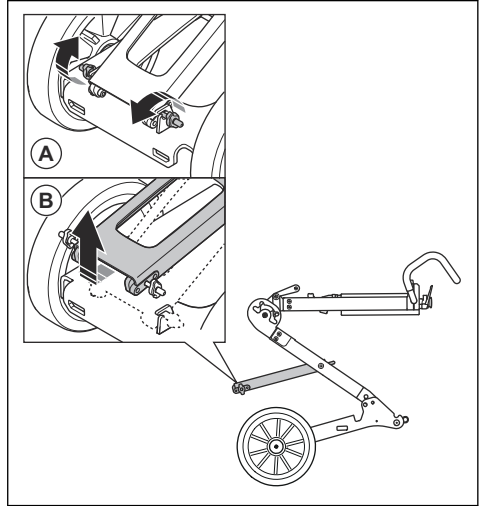
4. Pull out the lock pins (B) and remove the lock bolts (C) on each side of the grinding head.  
5. Remove the wheel chassis from the grinding head.



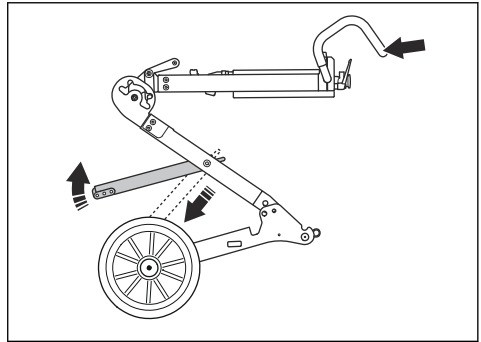
6. Push the handle on the central hinge and at the same time fold the top frame forward. This is the lift position.



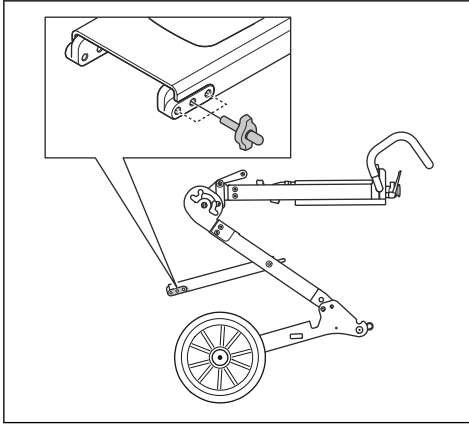
7. Remove the lock knobs (A) to loosen the support foot (B).



8. Hold the handlebar to keep the frame stable and lift the support foot out and up.



- Select the applicable position for the operation and tighten the lock knob. The bottom hole increases the grinding pressure and the height of the handlebar. The top hole decreases the grinding pressure and the handlebar.



#### Handle heights

Hole position	Handle height, mm/inch
Top	835/33
Center	925/36
Lower	1000/39

#### Diamond tools

There are many types of diamond tools for the product. Speak to your approved service center or go to [www.htc-floorsystems.com](http://www.htc-floorsystems.com) to select correct diamond tool.

#### Installation of the diamond tools

The installation of the diamond tools on the tool plate has effect on the performance of the product. The diamond tool type together with the number of segments on the diamond tool is important.

Use metal bond diamond tools with 2 segments for usual grind operations, to make the surface level or light removal.

Use metal bond diamond tools with 1 diamond segment to increase the diamond tool pressure. This installation is for heavy removal with much force.

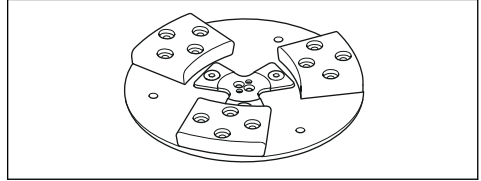
For the heaviest removal, we recommend to use tools that only run in one direction with PCD diamond tops.

**Note:** T-Rex tools are made to run only in one direction.

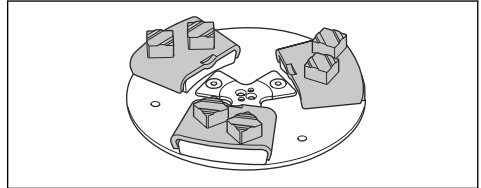
#### Metal bond diamond tools

**Note:** We recommend 3 tools with 1 segment on each EZchange™ holder when you remove surface or usual concrete.

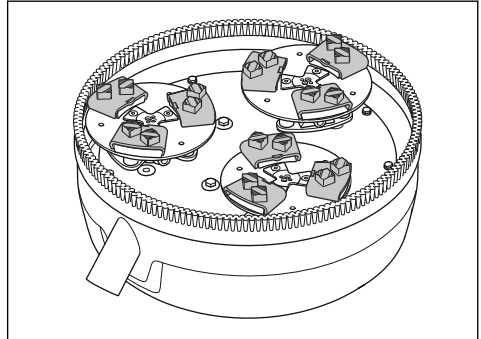
- Use EZchange™ holder to attach metal bonded diamond tools.



- An EZchange™ holder with full set.

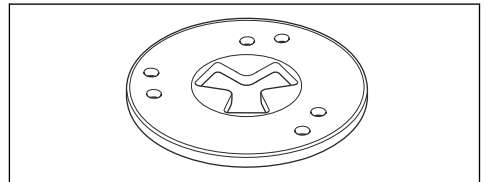


- Tool plate with full set on the 3 grinding discs.

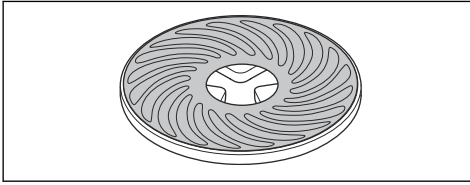


#### Resin bond diamond tools

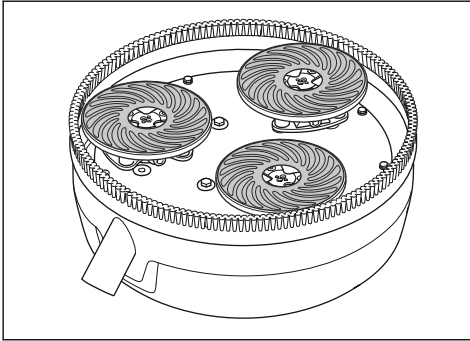
- Use resin holder disc to attach plastic bonded diamond tools.



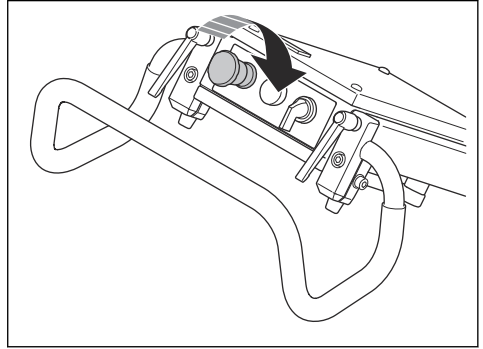
- Plastic bonded tool attached to resin holder disc.



- Tool plate with full set on the 3 resin holder discs.



10. Turn the emergency stop button clockwise to make sure that the emergency stop is disengaged.



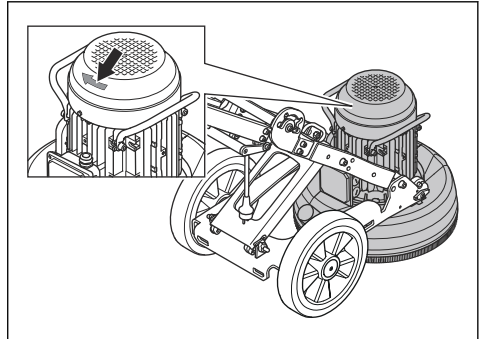
11. Make sure that you know in which direction the motor rotates.

### To change in which direction the motor rotates



**CAUTION:** The T-Rex tools are made to rotate in only one direction.

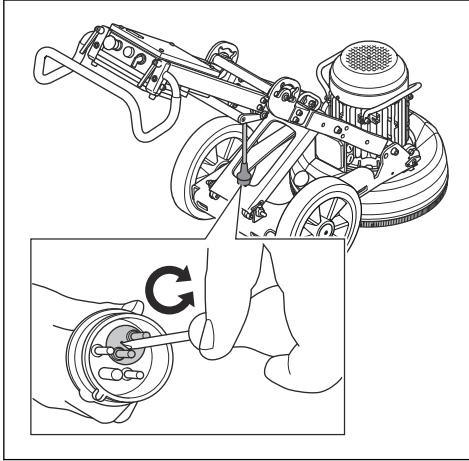
1. Look at the arrow to see in which direction the motor rotates.



## To do before you operate the product

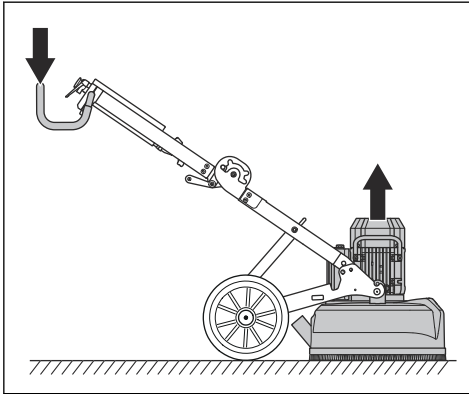
1. Read the operator's manual carefully and make sure that you understand the instructions.
2. Do daily maintenance. Refer to *Daily maintenance on page 15*.
3. Make sure that the product is assembled correctly and is not damaged.
4. Put the product on the work area.
5. Make sure that there are diamond tools on the tool plate and that they are tightly attached.
6. Connect the dust extractor to the product. Refer to *To connect a dust extractor on page 14*
7. Adjust the handlebar to set the necessary work height.
8. Make sure that the motor cable is connected to the electrical enclosure before the product is connected to an electric socket.
9. Connect the power plug of the product into the mains outlet.

- Turn the 2 pins in the power plug in the opposite direction to change in which direction the motor rotates. This is only applicable for 3-phase.

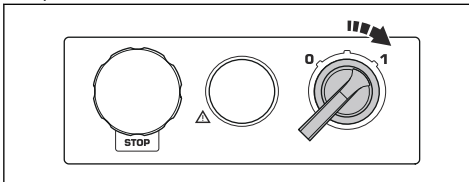


## To start the product

- Push down the handle lightly to lift the grinding head from the surface, approximately 1 mm. This decreases the pressure against the surface. Do not lift the grinding head fully from the surface.



- Turn the ON/OFF switch to 1 to start the product. In less than 5 seconds the product operates at the idle speed.



## To stop the product

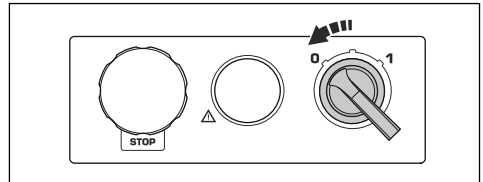


**CAUTION:** Do not lift the tool plate from the surface when you stop the motor. The tool plate rotates for a while after the motor stops. Much of the dust can blow off in to the air and the surface can be damaged.



**CAUTION:** If you grind adhesive asphalt, paint or equivalent material, lift up the front of the product slightly when the tool plate stops. The product can attach to the adhesive surface if not lifted.

- Turn the ON/OFF switch to 0 to stop the motor.



- Keep the tool plate against the surface. Make sure that the tool plate does not rotate before you lift up the front.
- Pull out the power plug.

## To replace the diamond tools

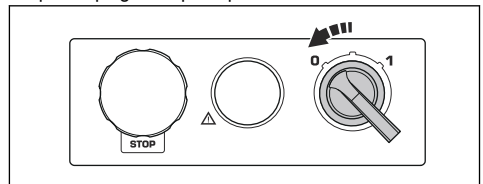


**WARNING:** Disconnect the power plug.

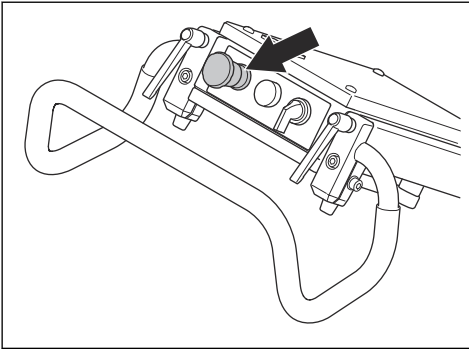


**WARNING:** Use protective gloves, as diamond tools can become very hot.

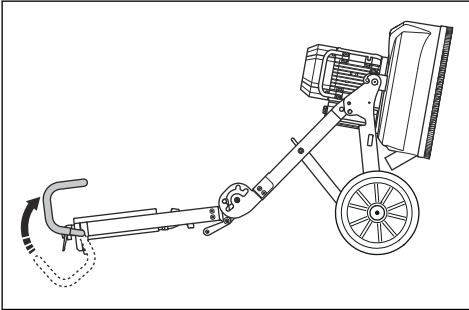
- Turn the ON/OFF switch to 0 and disconnect the power plug to stop the product.



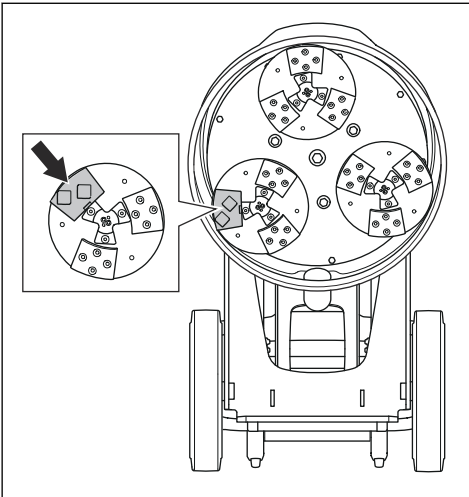
2. Push the emergency stop.



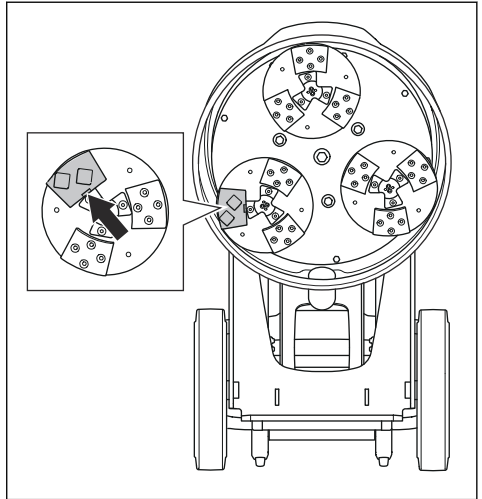
3. Put the product into servicing position.



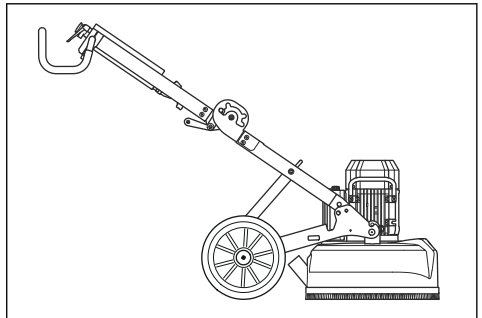
4. Use a hammer to remove the diamond tools.



5. Attach new diamond tools on the tool plate.



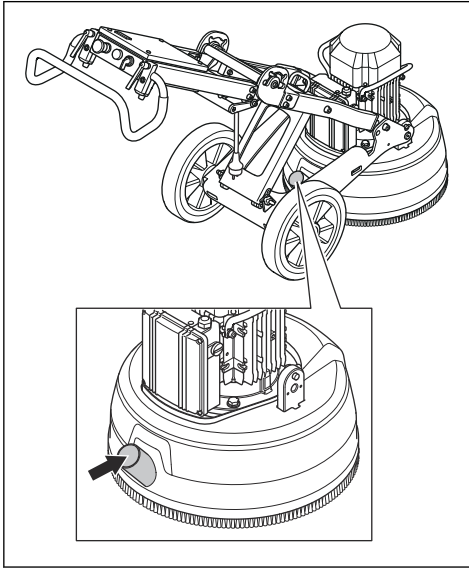
6. When the diamond tools are replaced, put the product into operation position.



### To connect a dust extractor

Use a HTC Floor Systems dust extractor system.

1. Connect the dust extractor to the product. Use a 50 mm (2 inch) hose.



2. Make sure that the filters in the dust extractor are clean and not damaged. Monitor the dust during the operation.

---

## Maintenance

---

### Introduction



**WARNING:** Before you do maintenance, you must read and understand the safety chapter.

For all servicing and repair work on the product, special training is necessary. We guarantee the availability of professional repairs and servicing. If your dealer is not a service agent, speak to them for information about the nearest service agent.

### Daily maintenance

Daily maintenance means that you clean the product. Also that you do a check of the electrical supply, the brush strip and the grind holder.

### To clean the product



**CAUTION:** A blocked air intake decreases the performance of the product and can cause the motor to become too hot.

- Always pull out the plug from the mains outlet before you clean, do maintenance or assemble the product.
- Always clean all the equipment at the end of the work day. Do not use a high pressure washer to clean the product.
- Remove blockage from all air openings. The product must always have sufficiently cool temperature.

### To do a check of the electrical supply



**WARNING:** Do not use damaged cables. A damaged cable can cause serious injury or death.

- Make sure that the power cord and extension cable are not damaged and in good condition.
- Do not use the product if the power cord is damaged. Let an approved service center repair the product.

### To do a check of the brush strip

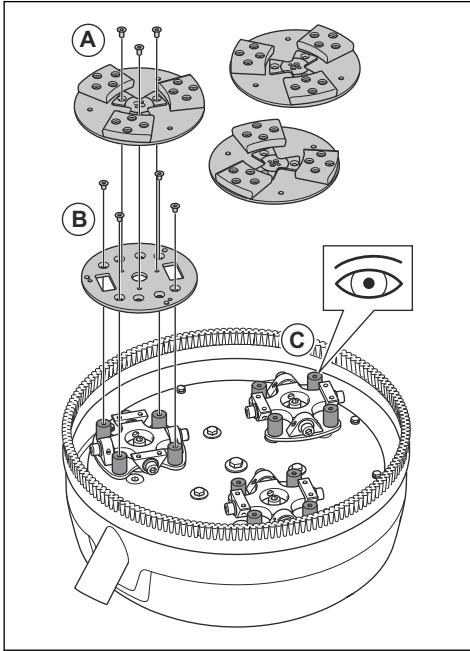
- Make sure that the brush strip is full.
- Make sure that the brush strip touches the surface.

### To do a check of the grind holder



**CAUTION:** The condition of the grind holder is important for the performance and the safety.

- Remove the grinding discs (A) and the tool plates (B).



- Examine the grind holder for damages and the wear of the rubber cylinders (C).
- Replace the rubber cylinders if it is necessary.

---

## Troubleshooting

---

### The product does not start

- Make sure that the power supply and the power cords are not damaged.
- Examine the emergency stop button, turn the button clockwise to release the emergency stop.
- Examine the overload lamp. If the overload lamp is on, let the motor cool down for some minutes until the product is automatically reset.

### The product is not easy to hold on to

- Too small number of diamond tools are installed on the product.
- The selected type of diamond tool is not correct for the surface.
- High current is used by the motor for the operation.
- Use the number of diamond tools that is recommended to decrease the force on the product and the operator. Refer to *Diamond tools on page 11*.

### The product has sudden movements

- Make sure that all diamond tools are installed correctly and that all have the same height.

### The product stops after only a while

- If the product overloads, the overload protection engages and stops the motor.
- Decrease the load. The lower hole is for a higher handlebar and increased grind pressure. The top hole is for a lower handlebar and decreased grind pressure.
- The product restarts after approximately a minute, when the temperature of the motor is decreased to usual level.
- Make sure that the extension cables are not too short.

### The product stops during startup

Correct voltage supply is necessary for a good motor performance. Too long extension cables and/or a too small gage decreases the power of the motor during operation.

- If the motor overloads, the overload lamp comes on. Wait 2 minutes and try again. When this does not help, speak to an approved service workshop.
- Make sure that the extension cables are not too short.



## Transportation and storage

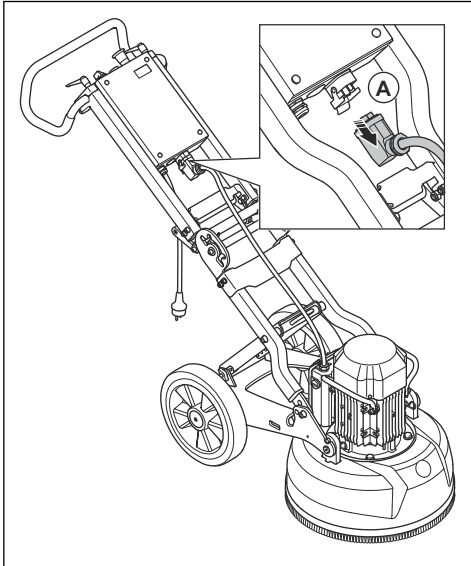
### To set the product in transport position

Put some type of protection on the product during transportation. The protection keeps natural elements such as rain and snow away from the product.

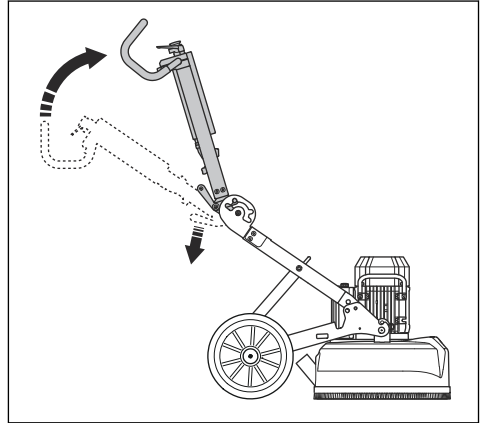
The product can be divided into 2 components. This makes the transportation easier.

Always move the product with the lifting eye and the handlebar.

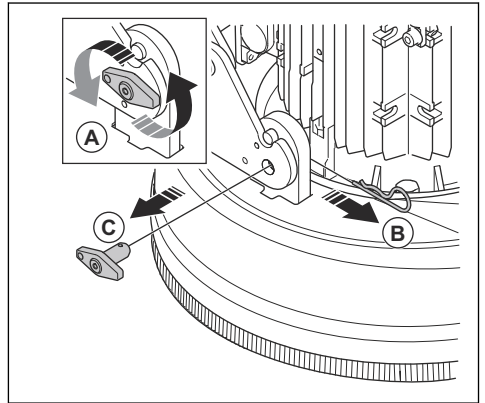
1. Disconnect the motor cable from the electric enclosure (A).



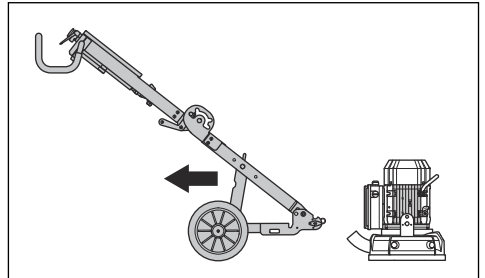
2. Push the handle on the central hinge and at the same time fold the top frame forward to transport position.



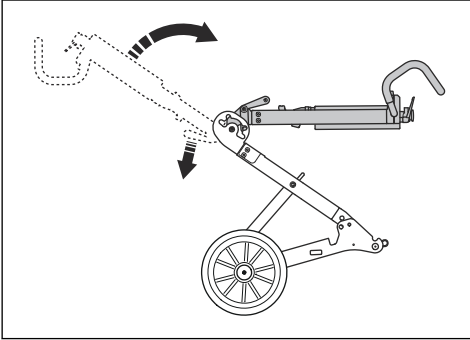
3. Loosen the lock bolts (A) some turns to release the pressure.



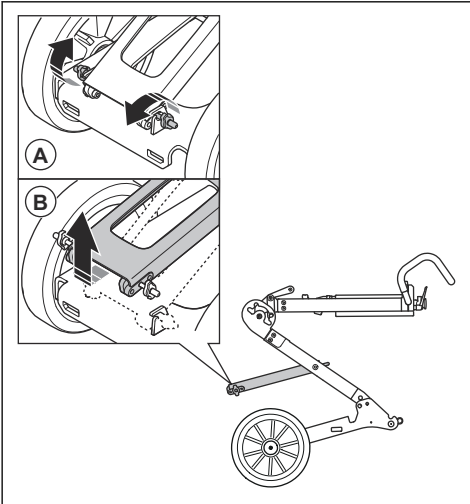
4. Pull out the lock pins (B) and remove the lock bolts (C) on each side of the grinding head.
5. Remove the wheel chassis from the grinding head.



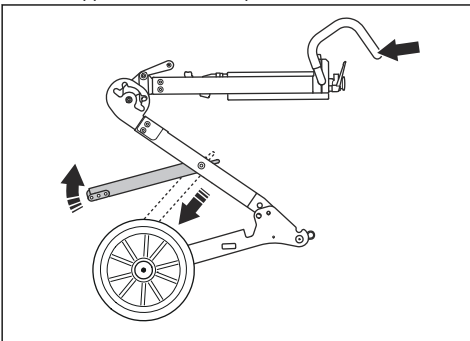
6. Push the handle on the central hinge and at the same time fold the top frame forward. The product is in the lift position.



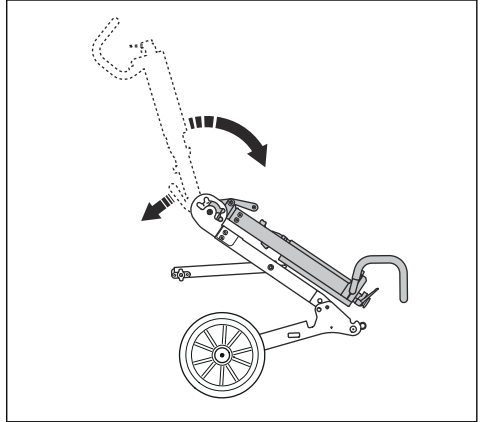
7. Remove the lock knobs (A) to loosen the support foot (B).



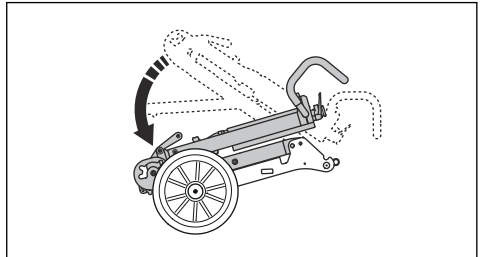
8. Hold the handlebar to keep the frame stable and lift the support foot out and up.



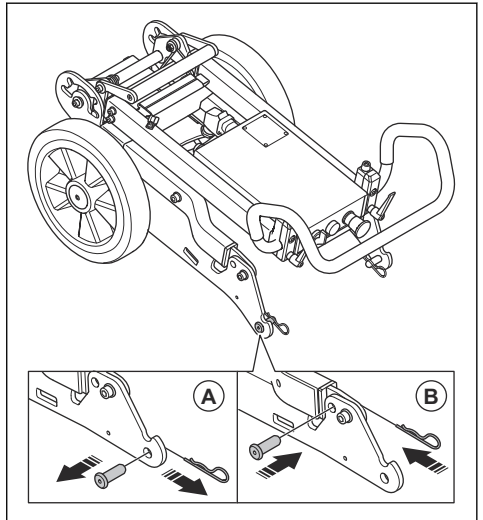
9. Hold the handlebar with one hand and push the handle on the central hinge. This folds the product into the folded position.

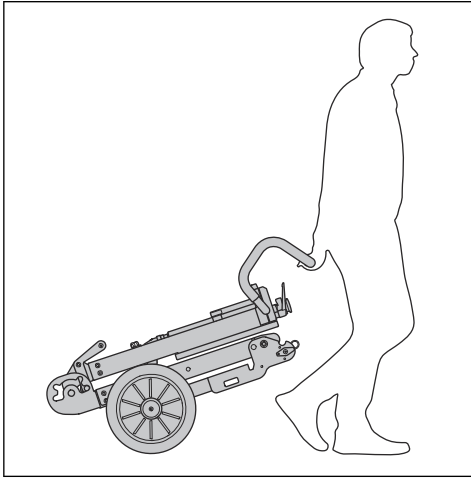


10. Fold the carefully.



11. Move the lock pin and lock bolt from position (A) to position (B) to lock the product.

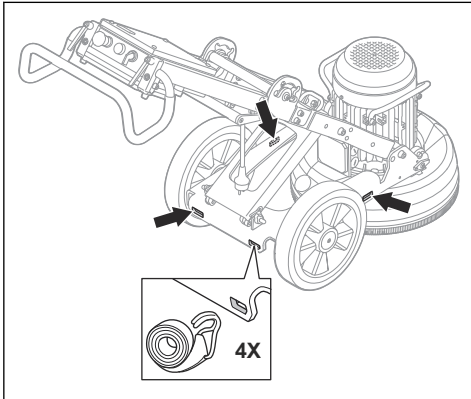




### To attach the product to a vehicle for transportation

Attach the product during transportation in order to prevent accidents and damage to the equipment. The product has holes that are used with straps to attach the product to the vehicle.

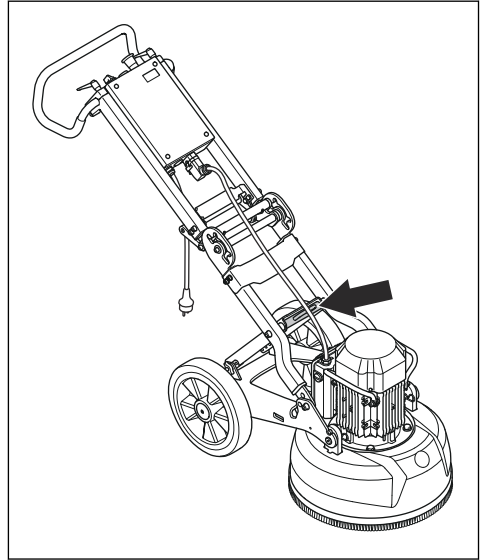
1. Attach the strap into the holes.



2. Attach and tighten the strap to the vehicle.

### To lift the product

1. Use the lifting eye to lift the product.



2. Make sure that the product is balanced when you lift it. Let a bystander help you when you lift the product.

### Storage of the product

- Keep the product in a locked area to prevent access for children or persons that are not approved.
- Keep the product in a dry and frost free area.

---

## Technical data

---

### Technical data

	Single-phase, 220-240V		Single-phase, 100-120V	
	50 Hz	60 Hz	50 Hz	60 Hz
Motor power, kW/hp	2.2/3.0	2.2/3.0	1.5/2.0	1.1/1.5

Rated current, A	13	13	20	15
Rated voltage, V	220-240	220-240	100-120	100-120
Weight, kg/lbs	109/240.3	109/240.3	109/240.3	109/240.3
Grinding width, mm/in.	450/17.7	450/17.7	450/17.7	450/17.7
Grinding disc diameter, mm/in.	3x180/3x7.1	3x180/3x7.1	3x180/3x7.1	3x180/3x7.1
Grinding pressure, kg/lbs	59/130	59/130	59/130	59/130
The speed that the tool plate rotates, rpm	705	865	470	575

---

# Contenido

---

Introducción.....	21	Solución de problemas.....	36
Seguridad.....	23	Transporte y almacenamiento.....	37
Funcionamiento.....	27	Datos técnicos.....	40
Mantenimiento.....	35		

---

## Introducción

---

### Responsabilidad del propietario

---



**ADVERTENCIA:** Cuando corta con la máquina, especialmente cuando se corta EN SECO, el material que corta produce polvo que con frecuencia contiene sílice. El sílice es un componente básico de la arena, el cuarzo, la arcilla de los ladrillos, el granito y otros numerosos minerales y rocas. La exposición a una cantidad excesiva de ese polvo puede causar:

Enfermedades respiratorias, como la bronquitis crónica, la silicosis y la fibrosis pulmonar. Estas enfermedades pueden ser mortales.

Irritación cutánea y sarpullido.

Cáncer, según el NTP\* y la IARC\* \*/National Toxicology Program (Programa Nacional de Toxicología) y Centro Internacional de Investigaciones sobre el Cáncer.

Tome medidas preventivas:

Evite inhalar y que su piel entre en contacto con el polvo, el vaho y los gases.

Utilice artículos apropiados para la protección respiratoria como máscaras contra polvo diseñadas para filtrar partículas microscópicas, y asegúrese de que todas las personas que se encuentren cerca también lo hagan. (Consulte la normativa OSHA 29 CFR Parte 1926.1153)

Corte en húmedo cuando sea posible para reducir al mínimo las emisiones de polvo. Si es necesario un corte en seco, use un extractor de polvo adecuado.

---

Es responsabilidad del propietario o empleador que el usuario tenga los conocimientos necesarios sobre cómo utilizar el producto de forma segura. Los supervisores y usuarios deben haber leído y comprendido el manual de usuario. Deben tener conocimiento de lo siguiente:

- Las instrucciones de seguridad de los productos.
- La gama de aplicaciones y limitaciones de los productos.
- Cómo el producto se va a utilizar y mantener.

El uso de este producto podría estar restringido por normas nacionales o locales. Infórmese sobre qué normas se aplican en el lugar donde trabaja antes de comenzar a utilizar el producto.

### Descripción del producto

El producto es una amoladora eléctrica para superficies de hormigón de diferentes grados de dureza. La gama de amolado va desde superficies irregulares hasta un acabado más liso.

Por ejemplo, el producto tiene las siguientes funciones:

- Un bastidor plegable para facilitar el transporte.
- Una cubierta de la base de la amoladora que ajusta el movimiento a la capa superficial.
- La placa de la herramienta cuenta con 3 discos de amolado. El juego completo tiene 3 segmentos en cada disco de amolado.
- Soporte de resina, un soporte para herramientas diamantadas con base de plástico.
- El enchufe de alimentación se puede modificar para una conexión monofásica o trifásica.
- Área de amolado de 450 mm.

### Uso específico

Utilice el producto para amolar superficies de hormigón con diferentes tipos de dureza, como terrazo y baldosas de piedra.

El producto se utiliza para operaciones comerciales ligeras en propiedades privadas y espacios comerciales pequeños.

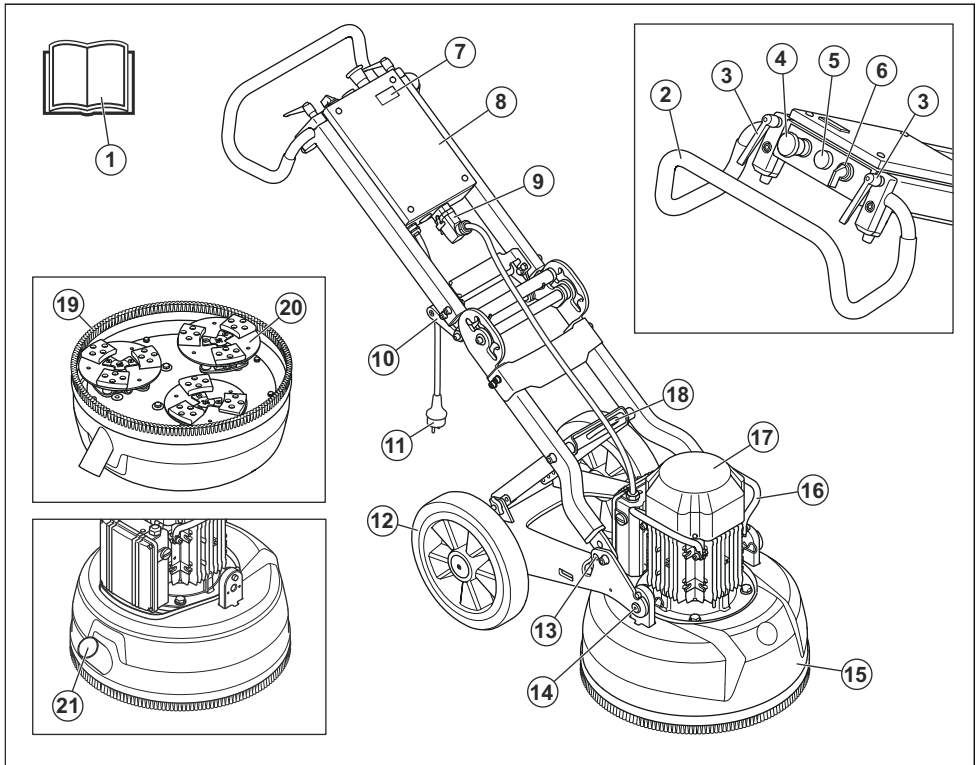
---



**ADVERTENCIA:** No utilice el producto para otras tareas.

---

## Descripción general de la máquina



1. Manual del usuario
2. Mango/manillar
3. Perillas de bloqueo para el ajuste del manillar
4. Parada de emergencia
5. Luz de sobrecarga
6. Interruptor ENCENDER/APAGAR
7. Medidor de horas
8. Gabinete eléctrico
9. Conexión para el cable del motor
10. Mango de junta angulada
11. Enchufe
12. Ruedas de goma
13. Función de bloqueo
14. Perno de bloqueo para acoplar el motor o la base de la amoladora
15. Cubierta de la base de la amoladora
16. Asa de elevación del motor
17. Motor eléctrico
18. Cáncamo
19. Banda de cepillado
20. Placa de la herramienta: 3 discos de amolado

21. Conexión de la manguera de vacío

### Símbolos en la máquina



**ADVERTENCIA:** El uso incorrecto o descuidado puede ocasionar lesiones o la muerte al operador u otras personas.



Lea atentamente el manual y asegúrese de que entienda las instrucciones antes de usar el producto.



Use protectores auriculares, además de protección ocular y respiratoria en todo momento.



**ADVERTENCIA:** El polvo puede causar problemas respiratorios. Use protección respiratoria. No inhale los gases de escape. Asegúrese de que haya buena ventilación.

**Tenga en cuenta:** Otros símbolos o etiquetas en el producto hacen referencia a requisitos de certificación especiales para algunos mercados.

## Responsabilidad del fabricante

Como se menciona en las leyes de responsabilidad del fabricante, no nos hacemos responsables de los daños que cause nuestro producto si:

- el producto se repara incorrectamente
- el producto se repara con piezas que no son del fabricante o que este no autoriza
- el producto tiene un accesorio que no es del fabricante o que este no autoriza
- el producto no se repara en un centro de servicio autorizado o por una autoridad aprobada.

# Seguridad

## Definiciones de seguridad

Las advertencias, precauciones y notas se utilizan para señalar las piezas particularmente importantes del manual.



**ADVERTENCIA:** Se utilizan para señalar el riesgo de lesiones graves o mortales para el operador o para aquellos que se encuentren cerca si no se siguen las instrucciones del manual.



**AVISO:** Se utilizan para señalar el riesgo de dañar la máquina, otros materiales o el área adyacente si no se siguen las instrucciones del manual.

**Tenga en cuenta:** Se utilizan para entregar más información necesaria en situaciones particulares.

## Instrucciones generales de seguridad



**ADVERTENCIA:** Lea atentamente las instrucciones de advertencia siguientes antes de usar el producto. Guarde todas las advertencias y las instrucciones. Consulte las advertencias y las instrucciones para el trabajo futuro, si es necesario.

- La sección de seguridad proporciona instrucciones básicas sobre cómo utilizar el producto correctamente. Esta información no sustituye el conocimiento y la experiencia profesionales. Si se encuentra en una situación en la que no se siente seguro, deténgase y obtenga asistencia profesional. Póngase en contacto con su distribuidor, el taller de servicio o un usuario con experiencia. No intente realizar una tarea con la que no se sienta seguro.
- Mantenga el área de trabajo limpia y brillante, a fin de reducir el riesgo de accidentes.
- Solo utilice el producto para las operaciones que se describen en este manual. Consulte *Uso específico en la página 21*.
- Utilice el equipo de protección personal. Consulte *Equipo de protección personal en la página 24*.
- No se aleje del producto cuando el motor esté en marcha.
- Conecte el cable del motor a la carcasa electrónica antes de conectar el enchufe.
- No permita que otros operadores usen el producto si no han leído y comprendido el contenido de este manual de usuario.
- Ponga en marcha el producto solo si la banda de cepillado está colocada en su lugar. La banda de cepillado debe sellarse herméticamente a la superficie, en especial durante operaciones en superficies secas.
- Asegúrese de que la banda de cepillado no esté dañada y esté limpia. Reemplace la banda de cepillado si está dañada.
- Mantenga el motor encendido hasta que el ventilador se detenga por completo.
- Levante la base de la amoladora si se necesita una verificación del procedimiento de encendido.

## Instrucciones de seguridad para el funcionamiento



**ADVERTENCIA:** Lea atentamente las instrucciones de advertencia siguientes antes de usar el producto. Guarde todas las advertencias y las instrucciones para futuras operaciones.



**ADVERTENCIA:** La sobreexposición a las vibraciones puede producir trastornos vasculares o daños al sistema nervioso en las personas que padecen problemas de circulación. Obtenga asistencia médica si experimenta síntomas de sobreexposición a las vibraciones. Estos síntomas incluyen entumecimiento, pérdida de sensibilidad, hormigueo, ardor, dolor, pérdida de fuerza, y cambios en el color o el estado de la piel. Normalmente, estos síntomas se presentan en los dedos, las manos o las muñecas.

- Ponga en marcha el producto solo cuando la base de la amoladora esté sobre la superficie.
- Asegúrese de que solo personas autorizadas estén en la zona de trabajo.
- No utilice el producto en áreas donde se pueden producir explosiones o fuego.
- Desmonte siempre la herramienta de diamantes después de cada operación.
- Asegúrese de que el disco de amolar no gire si levanta el producto. El disco de amolar sigue girando durante un tiempo después de que el motor se detiene.
- Cuando quite las herramientas de diamante, deje que el producto se enfríe y utilice guantes protectores. Las herramientas de diamante estarán muy calientes después de su uso.
- Asegúrese de conectar el producto a un extractor para la eliminación del polvo.
- Asegúrese de que el producto esté montado correctamente.
- Para levantar el producto, utilice siempre el cáncamo del producto.
- No utilice el producto si observa signos de daños.
- Ponga en marcha el producto solo cuando la base de la amoladora toque la superficie, a menos que realice una verificación del interruptor encender/apagar (ON/OFF).
- Utilice el producto solamente desde la parte posterior y con sus dos manos en el mango.
- No utilice el producto si no ha recibido capacitación antes de su uso. Asegúrese de que todos los usuarios reciban capacitación.
- Asegúrese de que solo haya personas autorizadas en la zona de trabajo, debido a que existe el riesgo de provocar daños graves.
- Asegúrese de que ninguna prenda, cabello largo o joya puedan quedar atrapados en las piezas móviles.
- Asegúrese de encontrarse en una posición segura y estable durante la operación.
- La aparición repentina de personas y animales puede impedir la operación segura del producto. Esté siempre atento mientras utiliza el producto y esté preparado para detenerlo si es necesario.
- No deje que los niños se acerquen al producto ni que lo usen.
- Asegúrese de que siempre haya otra persona cerca cuando utilice el producto. Si se produce un accidente, podrá recibir ayuda cuando sea necesario.
- No utilice este producto cuando esté cansado, enfermo, o si consume alcohol, drogas o medicamentos. Esto puede disminuir su visión, su capacidad de discernimiento o su coordinación.
- No utilice un producto cuyas especificaciones de fábrica se han modificado.

- Siempre utilice accesorios homologados. Póngase en contacto con su concesionario para obtener más información.

## Equipo de protección personal



**ADVERTENCIA:** Lea atentamente las instrucciones de advertencia siguientes antes de usar el producto.

- Utilice siempre el equipo de protección personal adecuado cuando utilice el producto. El equipo de protección personal no elimina el riesgo de lesiones. El equipo de protección personal disminuye el grado de la lesión en caso de un accidente. Permita que su distribuidor le ayude seleccionar el equipo adecuado.
- Use una protección ocular aprobada cuando emplee el producto.
- No utilice prendas flojas, pesadas y no apropiadas. Utilice ropa que le permita moverse libremente.
- Utilice guantes protectores aprobados que permitan un agarre firme.
- Utilice guantes protectores de goma para evitar la irritación de la piel causada por el hormigón húmedo.
- Utilice un casco protector aprobado.
- Utilice siempre protectores auriculares aprobados cuando emplee el producto. Escuchar ruidos durante un largo período puede provocar pérdida de audición inducida por el ruido.
- El producto genera polvo y gases que contienen químicos peligrosos. Utilice protección respiratoria aprobada.
- Utilice botas con punta de acero y suela antideslizante.
- Asegúrese de tener un botiquín de primeros auxilios.
- Se pueden generar chispas cuando utilice el producto. Asegúrese de tener cerca un extintor de incendios.

## Seguridad eléctrica



**ADVERTENCIA:** Siempre existe el riesgo de recibir una descarga cuando se usan productos eléctricos. No utilice el producto en condiciones climáticas adversas. No toque los pararrayos ni los objetos metálicos. Utilice siempre el producto como se indica en este manual del usuario para evitar lesiones.



**AVISO:** El producto cumple con los requisitos de la norma EN 61000-3-11 y está sujeto a una conexión condicionada a la red eléctrica. Hable con la autoridad de suministro eléctrico para obtener instrucciones sobre cómo conectar el producto.



Conecte el producto solo a una red eléctrica con una resistencia inferior a los 0,28 Ω. Obtenga el punto de la interfaz de la resistencia del sistema de la autoridad de suministro eléctrico.

Si el sistema de la red eléctrica tiene una resistencia más alta, puede ocurrir una caída del voltaje cuando el producto se ponga en marcha. Esto puede afectar el funcionamiento de otros productos; por ejemplo, el parpadeo de luces.

- Asegúrese de que la alimentación, el fusible y el voltaje de la red eléctrica sean los mismos que se indican en la placa de características del producto.
- Detenga siempre el producto antes de desconectar el enchufe.
- No utilice el producto si el cable o el enchufe se encuentran dañados. Llévelo a un centro de servicio autorizado para su reparación. Un cable dañado puede causar daños graves e incluso la muerte.
- Utilice el cable correctamente. No utilice el cable para mover el producto, tirar de él o desconectarlo. Sostenga el enchufe para desconectar el cable de alimentación.
- No utilice el producto en profundidades de agua en las que el equipo del producto se moje. El equipo podría dañarse, y el producto podría electrificarse y causar daños.
- No deje que ingrese más humedad en el producto que lo que suministra el sistema de agua. Evite que la lluvia entre en contacto con el producto. El agua que ingresa en una herramienta eléctrica aumenta el riesgo de descarga eléctrica.
- Asegúrese de que el cable de alimentación esté desconectado cuando conecte o desconecte la conexión para el cable del motor y la carcasa electrónica.

### Instrucciones para la conexión a tierra del producto



**ADVERTENCIA:** Una conexión incorrecta puede provocar una descarga eléctrica. Hable con un electricista certificado si no está seguro de si el producto está correctamente conectado a tierra.

No modifique la especificación de fábrica del enchufe. Si el enchufe no es el correcto para la toma de corriente, deje que un electricista certificado instale una toma de corriente adecuada a la red eléctrica. Obedezca las normas y las leyes locales.

Si no comprende perfectamente las instrucciones sobre la conexión a tierra del producto, póngase en contacto con un electricista certificado.

El producto cuenta con un cable y un enchufe con conexión a tierra. Conecte siempre el producto a una

toma de corriente con conexión a tierra. Esto reduce el riesgo de descarga eléctrica si ocurre una falla.

No use adaptadores con el producto.

### Cables de extensión

- La marca en el cable de extensión debe ser la misma o superior al valor que se establece en la placa de características del producto.
- Utilice cables de extensión con conexión a tierra.
- Cuando opere una herramienta eléctrica en exteriores, utilice un cable de extensión apto para el uso en exteriores. La utilización de un cable de alimentación apto para el uso en exteriores reduce el riesgo de una descarga eléctrica.
- Mantenga la conexión al cable de extensión seca y no la deje en el suelo.
- Mantenga el cable alejado del calor, el aceite, los bordes afilados o las piezas en movimiento. Los cables dañados o demasiado largos aumentan el riesgo de descargas eléctricas.
- Compruebe que los cables no estén dañados y se encuentren en buen estado. No utilice el producto si un cable está dañado. Solicite a un centro de servicio autorizado que repare el producto.
- Para prevenir el sobrecalentamiento, no utilice el cable de extensión cuando esté enrollado.
- Asegúrese de que el cable de alimentación esté detrás de usted cuando utilice el producto. Esto es para evitar dañar el cable de alimentación.
- Cuando utilice un cable de extensión, use solo cables de extensión aprobados con la longitud suficiente.

### Dispositivos de seguridad en el producto

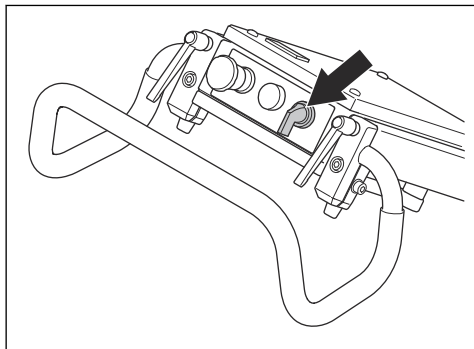


**ADVERTENCIA:** Lea atentamente las instrucciones de advertencia siguientes antes de usar el producto.

- No utilice un producto con dispositivos de seguridad defectuosos.
- Revise los dispositivos de seguridad de forma regular; consulte *Mantenimiento diario en la página 35*. Si los dispositivos de seguridad están defectuosos, comuníquese con su taller de servicio aprobado por HTC Floor Systems.
- No modifique los dispositivos de seguridad.

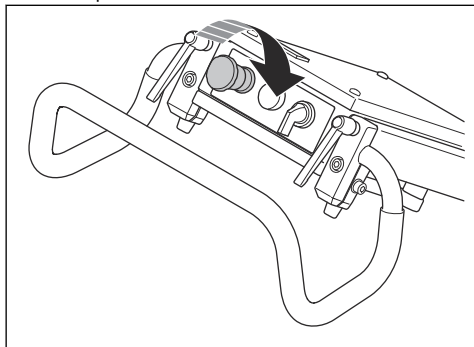
## Interruptor encender/apagar

El interruptor encender/apagar (ON/OFF) se usa para arrancar y detener el producto.

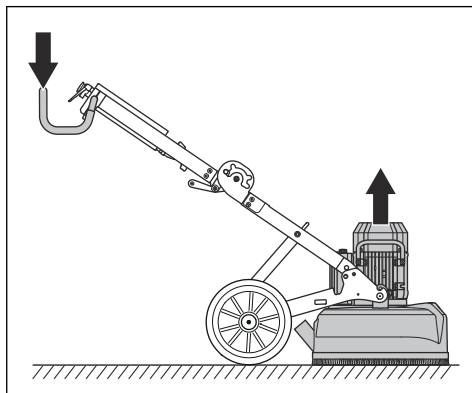


## Para comprobar el interruptor de ENCENDIDO/ APAGADO

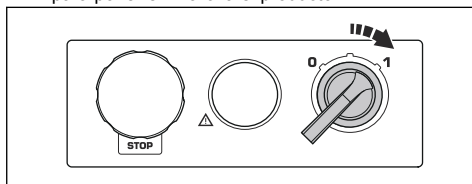
1. Gire el botón de parada de emergencia en el sentido de las agujas del reloj para asegurarse de que el botón de parada de emergencia esté desacoplado.



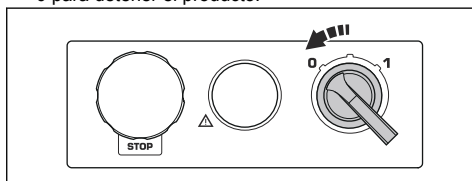
2. Presione el mango hacia abajo para levantar la base de amolado del suelo.



3. Gire el interruptor de encender/apagar a la posición 1 para poner en marcha el producto.

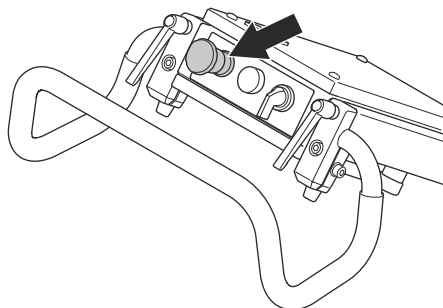


4. Espere 5 segundos para dejar que el producto funcione en el régimen de ralentí.
5. Gire el interruptor de encender/apagar a la posición 0 para detener el producto.



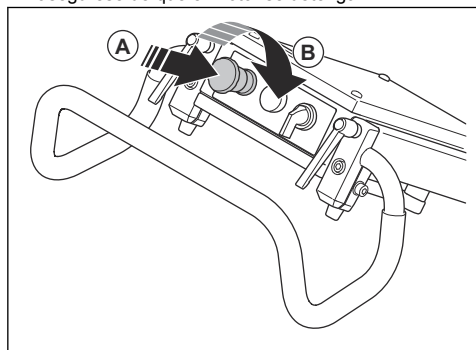
## Parada de emergencia

La parada de emergencia se utiliza para detener rápidamente el motor. La parada de emergencia interrumpe el suministro de electricidad al producto.



## Para comprobar la parada de emergencia

1. Presione el botón de parada de emergencia (A) y asegúrese de que el motor se detenga.



2. Gire el botón de parada de emergencia en el sentido de las agujas del reloj (B) para desactivarlo.

## Instrucciones de seguridad para el mantenimiento

- Mantenga todas las piezas en buen estado y asegúrese de que todos los componentes fijos estén ajustados correctamente.
- No utilice un producto que esté defectuoso. Realice los controles de seguridad y de mantenimiento como se describe en este manual. Todas las demás tareas de mantenimiento se deben realizar en un taller de servicio autorizado.
- Detenga el producto cuando cambie las herramientas de diamante. Gire el interruptor encender/apagar a la posición 0 y presione el botón de parada de emergencia.
- Realice la inspección o el mantenimiento con el motor detenido y el enchufe desconectado.
- Realice mantenimiento para asegurarse de que el producto funcione correctamente. Consulte *Mantenimiento diario en la página 35*

---

# Funcionamiento

---

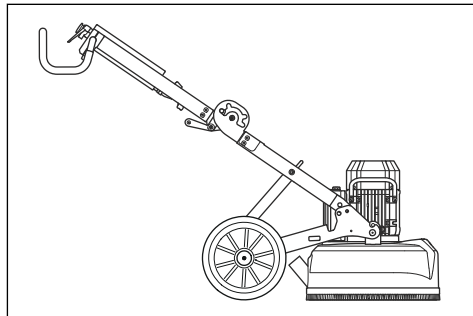
## Introducción



**ADVERTENCIA:** Antes de utilizar el producto, debe leer y entender el capítulo sobre seguridad.

## Posiciones del producto

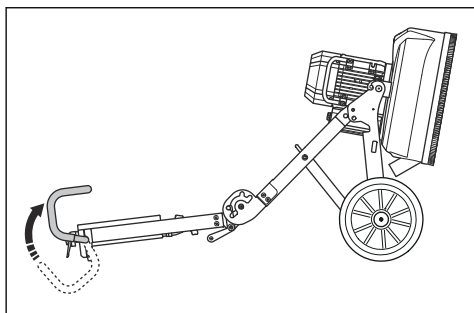
### Posición de funcionamiento



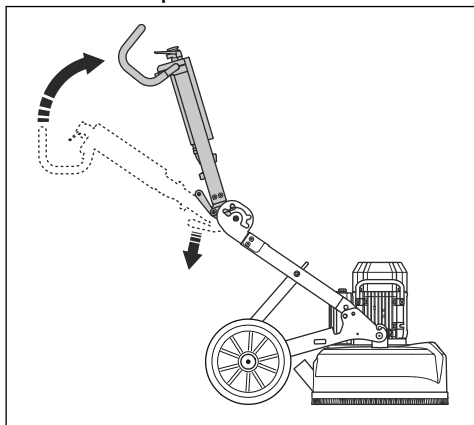
## Posición de servicio



**AVISO:** Solo ponga el producto en la posición de servicio en una superficie horizontal.

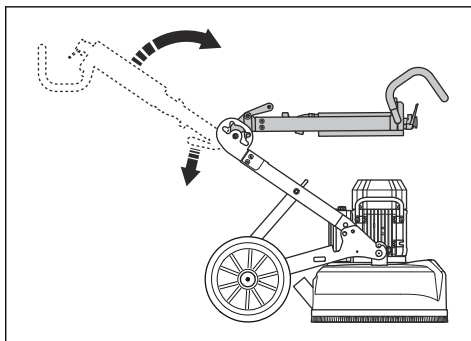


## Posición de transporte inclinada



## Posición de transporte para levantamiento

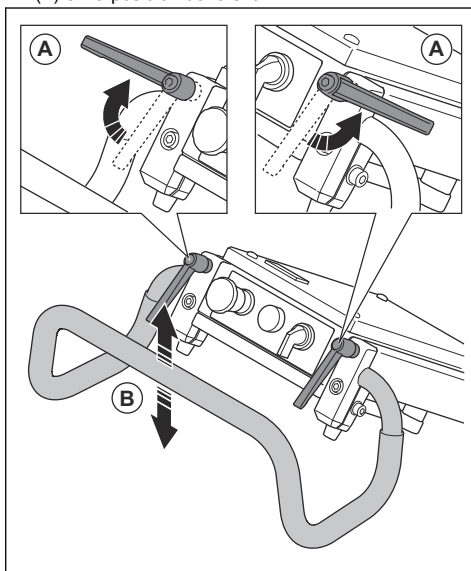
Coloque una protección entre el motor y el gabinete eléctrico para evitar que se produzcan daños en el producto.



## Para ajustar el manillar

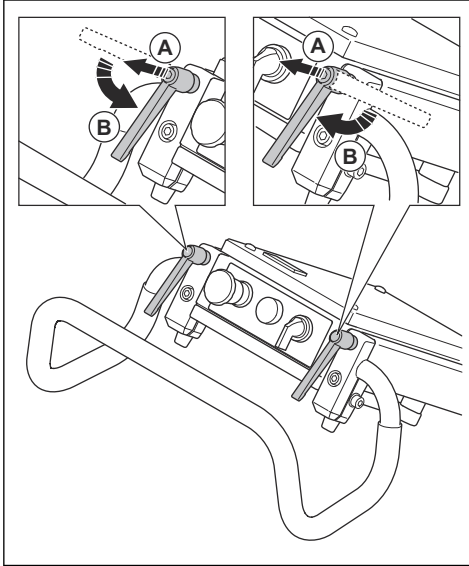
Las perillas de bloqueo del mango funcionan en el sentido de las agujas del reloj, en el sentido contrario, o se pueden ubicar en posición de ralentí.

1. Afloje las perillas de bloqueo (A) y coloque el mango (B) en la posición de ralentí.



2. Ajuste las perillas de bloqueo para fijar la posición.

3. Cuando la posición del mango esté fijada, gire las perillas de bloqueo hacia arriba (A) y colóquelas en posición de ralentí (B).

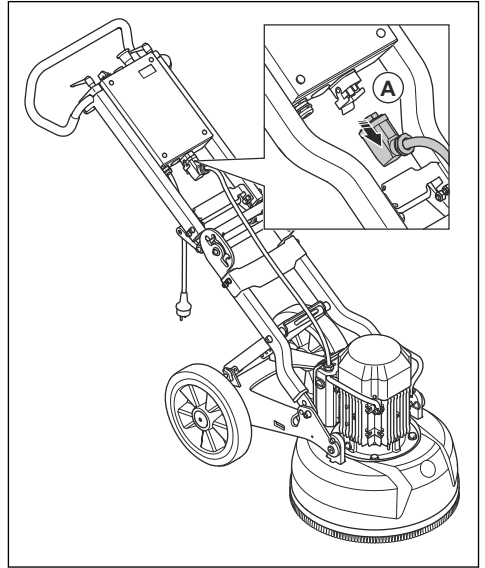


### Para ajustar la altura del bastidor

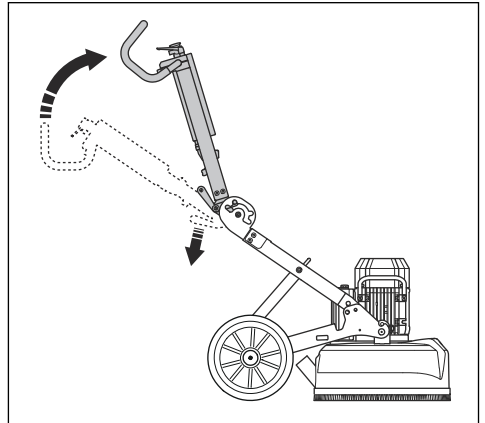
El ángulo del bastidor se puede modificar para dividir el peso del chasis. Esto se hace para aumentar o reducir la presión de amolado sobre la superficie.

Ajuste el ángulo para establecer una buena posición de trabajo para diferentes operadores.

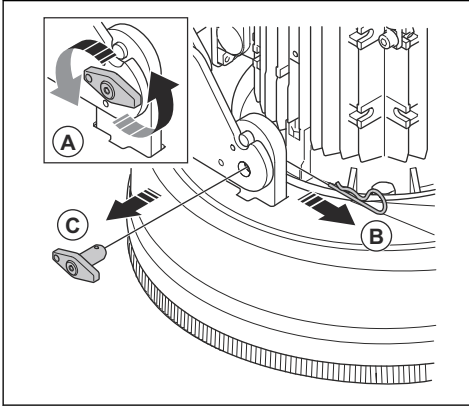
1. Desconecte el cable del motor (A) del gabinete eléctrico.



2. Empuje la palanca de la bisagra central y, al mismo tiempo, pliegue el bastidor superior hacia delante para poner la máquina en la posición de transporte.

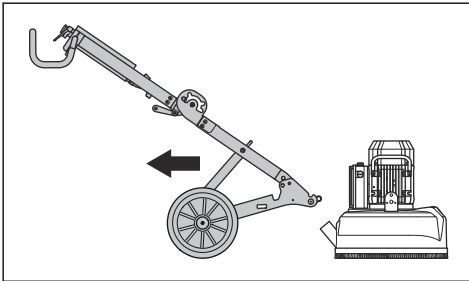


3. Afloje los pernos de bloqueo (A) por un par de vueltas para liberar la presión.

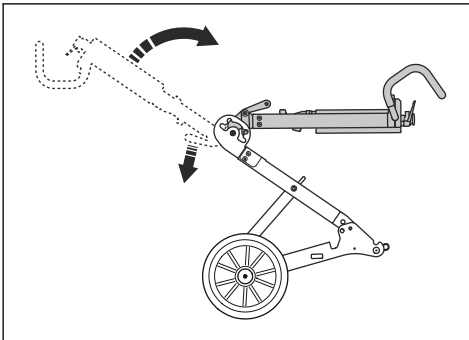


4. Quite los pasadores de bloqueo (B) y los pernos de bloqueo (C) en cada lado de la base de la amoladora.

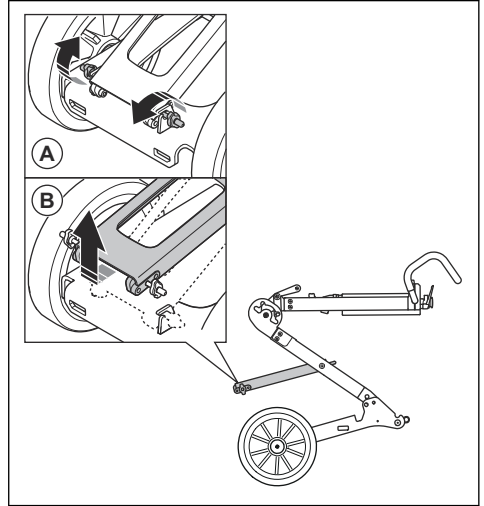
5. Extraiga el chasis de la rueda de la base.



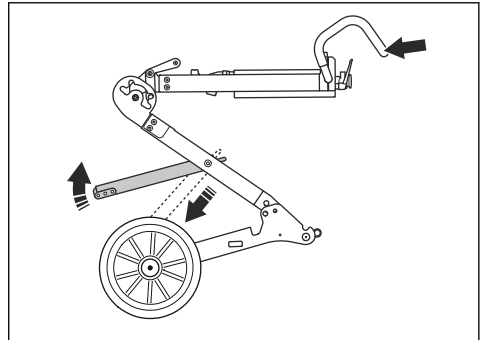
6. Empuje la palanca de la bisagra central y, al mismo tiempo, pliegue el bastidor superior hacia delante. Esta es la posición de levantamiento.



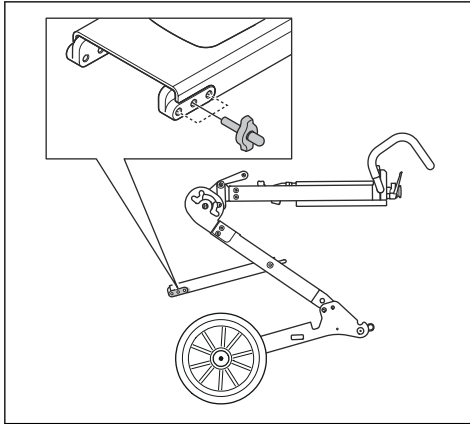
7. Quite las perillas de bloqueo (A) para aflojar el pie de apoyo (B).



8. Sujete el manillar para mantener el bastidor estable y tire del pie de apoyo hacia afuera y hacia arriba.



9. Seleccione la posición correspondiente para el funcionamiento y apriete la perilla de bloqueo. El orificio inferior aumenta la presión de amolado y la altura del manillar. El orificio superior reduce la presión de amolado y la altura del manillar.



#### Alturas del manillar

Posición del agujero	Altura del manillar, mm/pulg.
Parte superior	835/33
Centro	925/36
Parte inferior	1000/39

#### Herramientas de diamante

Hay varios tipos de herramientas de diamante para usar con el producto. Hable con su centro de servicio autorizado o vaya a [www.htc-floorsystems.com](http://www.htc-floorsystems.com) para seleccionar las herramientas de diamante correctas.

##### Instalación de las herramientas de diamante

La instalación de las herramientas de diamante en el disco de amolar tiene un efecto en el rendimiento del producto. El tipo de herramienta de diamante y la cantidad de segmentos en las herramientas de diamante son muy importantes.

Utilice herramientas de diamante con aleaciones metálicas con 2 segmentos para las operaciones habituales de amolado, a fin de nivelar la superficie o para trabajos ligeros.

Utilice herramientas de diamante con aleaciones metálicas con 1 segmento de diamante para aumentar la presión del disco. Esta instalación es para trabajos difíciles que requieren mucha fuerza.

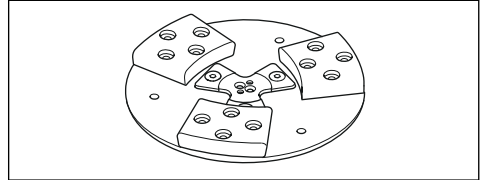
Para las eliminaciones más difíciles, recomendamos utilizar herramientas que funcionan en una sola dirección con partes superiores de diamante PCD.

**Tenga en cuenta:** Las herramientas T-Rex están diseñadas para funcionar en una sola dirección.

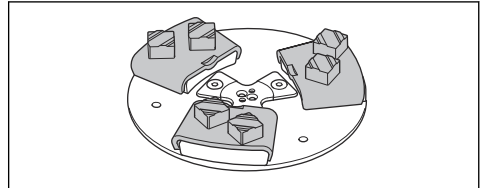
#### Herramientas diamantadas con base metálica

**Tenga en cuenta:** Recomendamos 3 herramientas con 1 segmento en cada soporte de <sup>TM</sup> EZchange cuando amole superficies u hormigón común.

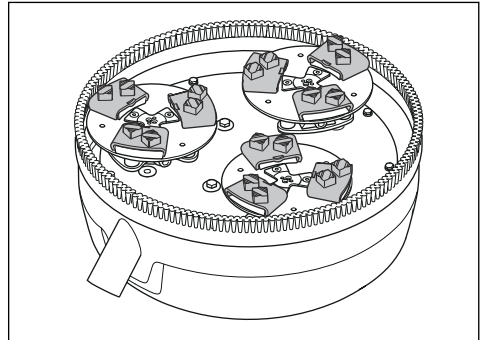
- Use un soporte de EZchange <sup>TM</sup> para acoplar herramientas diamantadas con base metálica.



- Un soporte EZchange <sup>TM</sup> con el conjunto completo.

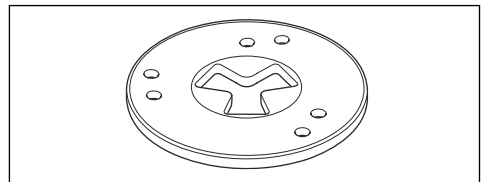


- Placa de la herramienta con el conjunto completo de 3 discos de amolado.

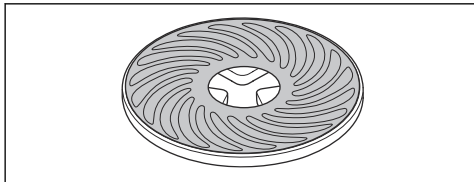


#### Herramientas diamantadas con base de resina

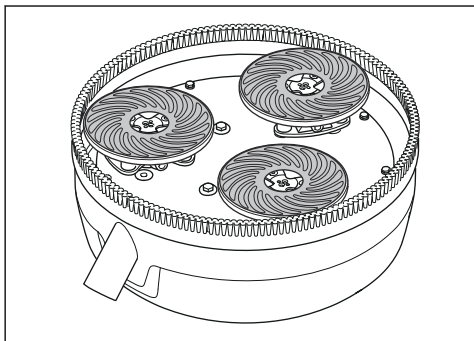
- Utilice un disco de soporte de resina para acoplar herramientas diamantadas con base de plástico.



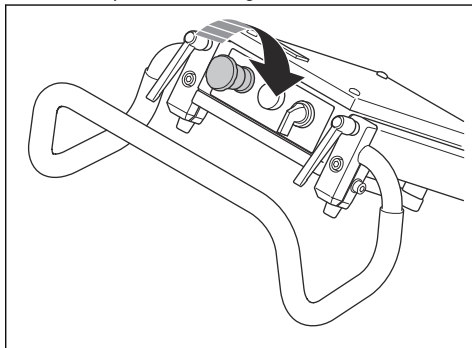
- Herramienta con base de plástico acoplada en un disco de soporte de resina.



- Placa de la herramienta con el conjunto completo de 3 discos de soporte de resina.



10. Gire el botón de parada de emergencia en el sentido de las agujas del reloj para asegurarse de que el botón de parada de emergencia esté desactivado.



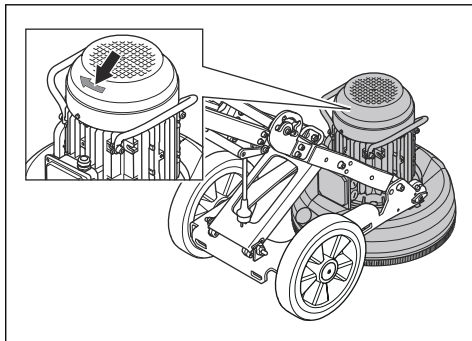
11. Asegúrese de saber en qué dirección gira el motor.

### Para cambiar la dirección de rotación del motor



**AVISO:** Las herramientas T-Rex están diseñadas para girar solo en una dirección.

1. Observe la flecha para ver en qué dirección gira el motor.

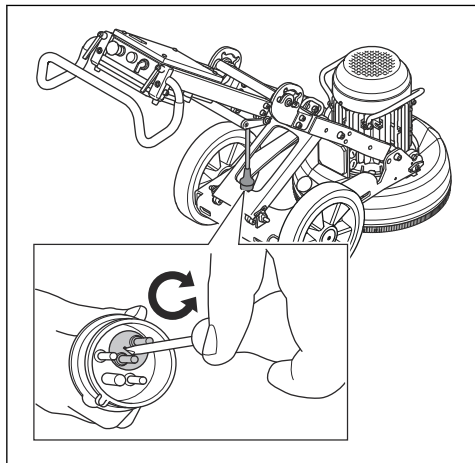


## Haga lo siguiente antes de usar el producto

1. Lea atentamente el manual del usuario y asegúrese de entender las instrucciones.
2. Realice un mantenimiento diario. Consulte *Mantenimiento diario en la página 35*.
3. Revise que el producto esté montado correctamente y que no esté dañado.
4. Coloque el producto en el área de trabajo.
5. Asegúrese de que haya herramientas de diamante en el disco de amolar y de que estén firmemente colocadas.
6. Conecte el extractor de polvo al producto. Consulte *Para conectar un extractor de polvo en la página 34*.
7. Ajuste el manillar para fijar la altura de trabajo adecuada.
8. Asegúrese de que el cable del motor esté conectado a la carcasa electrónica antes de conectar el producto a una toma de corriente eléctrica.
9. Conecte el enchufe del producto a la toma de corriente.

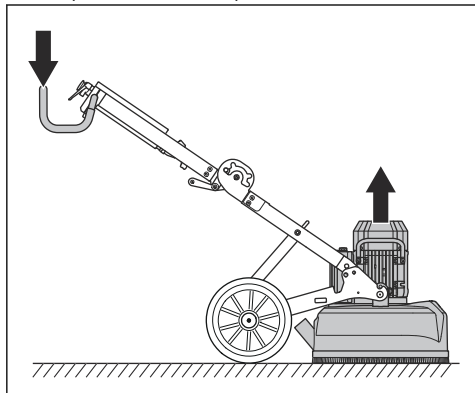


2. Gire los dos pasadores del enchufe en la dirección opuesta para cambiar la dirección de rotación del motor. Esto solo se puede aplicar para una conexión trifásica.

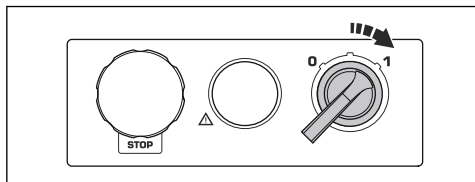


## Para poner en marcha la máquina

1. Empuje el mango ligeramente hacia abajo para levantar la base de amolado de la superficie aproximadamente 1 mm. Esto reduce la presión sobre la superficie. No levante la base de amolado completamente de la superficie.



2. Gire el interruptor de encender/apagar a la posición 1 para poner en marcha el producto. En menos de 5 segundos, el producto funciona en el régimen de ralenti.



## Para detener la máquina

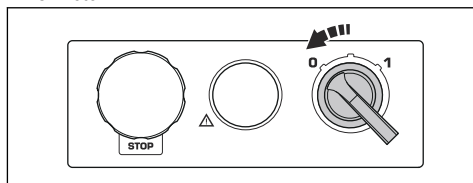


**AVISO:** No levante el disco de amolar de la superficie cuando detenga el motor. El disco de amolar gira durante un tiempo después de que se detiene el motor. Una gran cantidad de polvo puede salir expulsada y dañar la superficie.



**AVISO:** Si realiza el amolado de asfalto adhesivo, pintura o un material similar, levante la parte delantera del producto ligeramente cuando el disco de amolar se detenga. El producto se puede adherir a la superficie adhesiva si no se levanta.

1. Gire el interruptor encender/apagar a 0 para detener el motor.



2. Mantenga el disco de amolar contra la superficie. Asegúrese de que el disco de amolar no gire antes de levantar la parte frontal.
3. Desconecte el enchufe.

## Para reemplazar las herramientas diamantadas

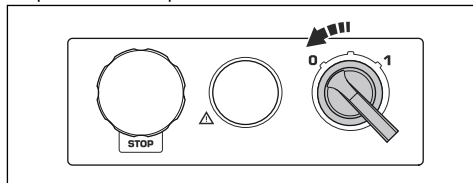


**ADVERTENCIA:** Desconecte el enchufe de alimentación.

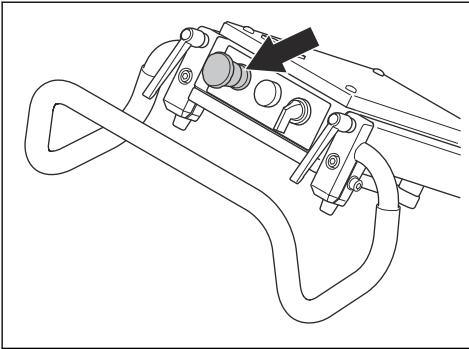


**ADVERTENCIA:** Utilice guantes protectores, ya que las herramientas diamantadas pueden sobrecalentarse.

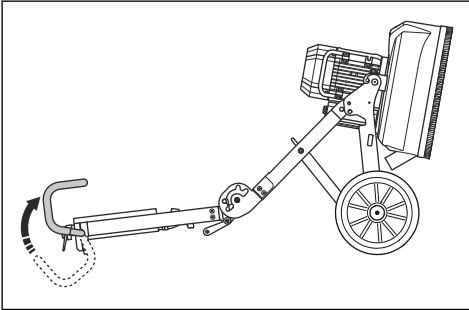
1. Gire el interruptor de encendido/apagado a la posición 0 y desconecte el enchufe de alimentación para detener el producto.



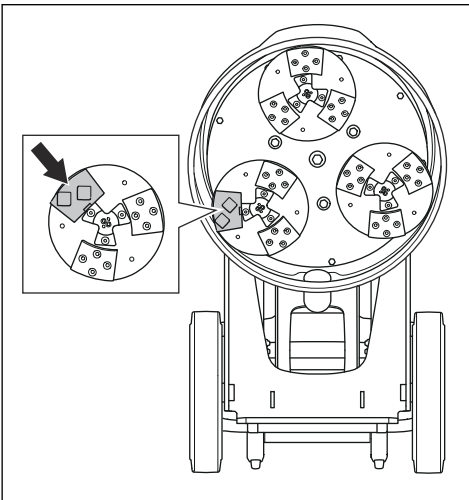
2. Presione la parada de emergencia.



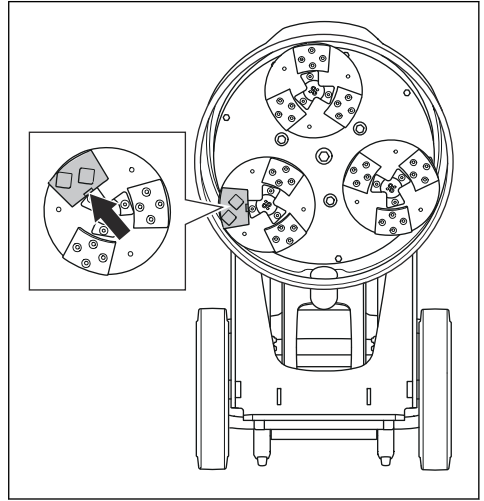
3. Ponga el producto en la posición de servicio.



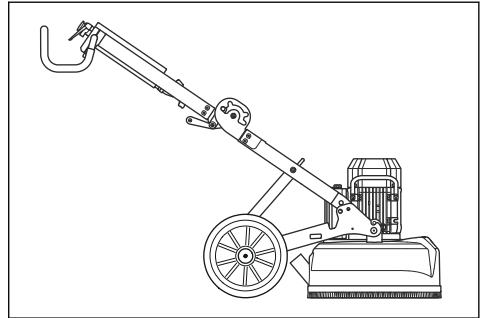
4. Utilice un martillo para retirar las herramientas diamantadas.



5. Acople las herramientas diamantadas nuevas en la placa de la herramienta.



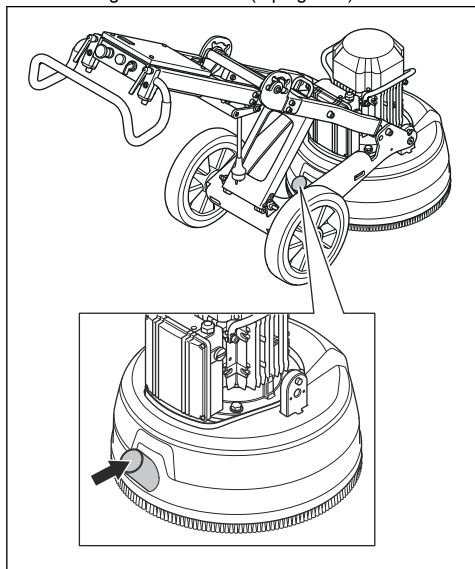
6. Cuando reemplace las herramientas diamantadas, ponga la máquina en la posición de funcionamiento.



## Para conectar un extractor de polvo

Utilice un extractor de polvo HTC Floor Systems.

1. Conecte el extractor de polvo a la máquina. Utilice una manguera de 50 mm (2 pulgadas).



2. Asegúrese de que los filtros del extractor de polvo estén limpios y en buen estado. Monitoree el polvo durante la operación.

---

## Mantenimiento

---

### Introducción



**ADVERTENCIA:** Antes de realizar el mantenimiento, debe leer y entender el capítulo sobre seguridad.

Para todos los trabajos de mantenimiento y reparación del producto, se requiere capacitación especial. Garantizamos la disponibilidad de trabajos de mantenimiento y reparación profesionales. Si el concesionario no cuenta con un taller de servicio, pídale información acerca del taller de servicio más cercano.

### Mantenimiento diario

El mantenimiento diario significa limpiar el producto. Además, realizar una comprobación del suministro eléctrico, la banda de cepillado y el soporte de la amoladora.

### Para limpiar el producto



**AVISO:** Una toma de aire bloqueada disminuye el rendimiento del producto y puede provocar que el motor se caliente demasiado.

- Desconecte siempre el enchufe de la toma de corriente antes de limpiar, realizar mantenimiento o montar el producto.

- Siempre limpie todo el equipo al final del día de trabajo. No use limpiadores de alta presión para limpiar el producto.
- Elimine los bloqueos en todas las tomas de aire. El producto debe estar siempre en una temperatura lo suficientemente fría.

### Para comprobar el suministro eléctrico



**ADVERTENCIA:** No utilice cables dañados. Un cable dañado puede provocar lesiones graves o la muerte.

- Asegúrese de que el cable de alimentación y el cable de extensión estén intactos y en buenas condiciones.
- No utilice el producto si el cable de alimentación está dañado. Solicite a un centro de servicio autorizado que repare el producto.

### Para revisar la banda de cepillado

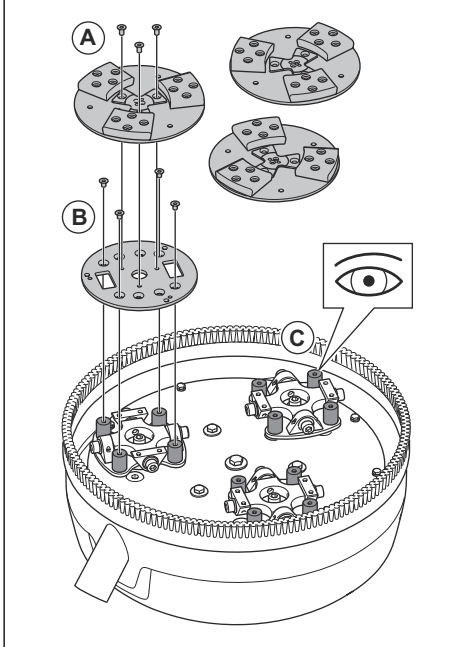
- Asegúrese de que la banda de cepillado esté llena.
- Asegúrese de que la banda de cepillado toque la superficie.

## Para comprobar el soporte de los discos de amolado de amolado



**AVISO:** La condición del soporte de los discos de amolado es muy importante para el rendimiento y la seguridad.

- Quite los discos de amolado (A) y las placas de la herramienta (B).



- Examine el soporte de los discos de amolado en busca de daños, así como el desgaste de los cilindros de goma (C).
- Reemplace los cilindros de goma si es necesario.

## Solución de problemas

### El producto no arranca

- Asegúrese de que la fuente de alimentación y los cables no estén dañados.
- Examine el botón de parada de emergencia, gire el botón en el sentido de las agujas del reloj para liberar la parada de emergencia.
- Examine la luz de sobrecarga. Si la luz de sobrecarga está encendida, deje que el motor se enfríe durante unos minutos hasta que el producto se restablezca automáticamente.

### No es fácil asir el producto

- Hay una cantidad muy pequeña de herramientas de diamante instaladas en el producto.
- El tipo seleccionado de herramientas de diamante no es el correcto para la superficie.
- El motor usa mucha corriente en la operación.

- Utilice la cantidad de herramientas de diamante que se recomienda para reducir la fuerza en el producto y en el operador. Consulte *Herramientas de diamante en la página 31*.

### El producto realiza movimientos bruscos

- Asegúrese de que todas las herramientas de diamante estén instaladas correctamente y de que tengan la misma altura.

### El producto se detiene después de un momento

- Si el producto se sobrecarga, la protección contra sobrecarga se activa y se detiene el motor.
- Disminuya la carga. El orificio inferior es para un manillar más alto y una mayor presión de amolado.

El orificio superior es para un manillar más bajo y una menor presión de amolado.

- El producto se reinicia después de, aproximadamente, un minuto, cuando la temperatura del motor disminuye al nivel habitual.
- Asegúrese de que los cables de extensión no sean muy cortos.

## El producto se detiene durante el inicio

Se necesita un voltaje correcto para el buen funcionamiento del motor. Los cables de extensión

demasiado largos o que tienen poco calibre reducen la potencia del motor durante el funcionamiento.

- Si el motor se sobrecarga, se enciende la luz de sobrecarga. Espere 2 minutos e inténtelo de nuevo. Si esto no ayuda, póngase en contacto con un taller de servicio autorizado.
- Asegúrese de que los cables de extensión no sean muy cortos.

---

## Transporte y almacenamiento

---

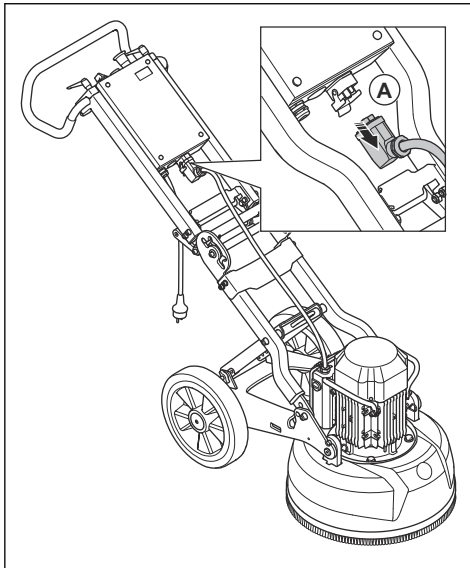
### Para poner el producto en posición de transporte

Coloque algún tipo de protección sobre el producto durante el transporte. La protección aleja del producto los elementos naturales como la lluvia y la nieve.

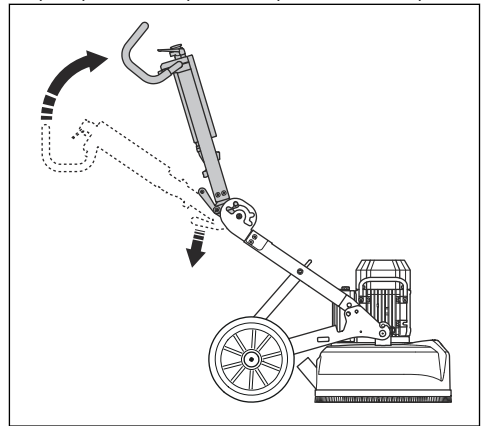
El producto se puede dividir en 2 componentes. Esto facilita el transporte.

Siempre mueva el producto levantándolo por el cáncamo y el manillar.

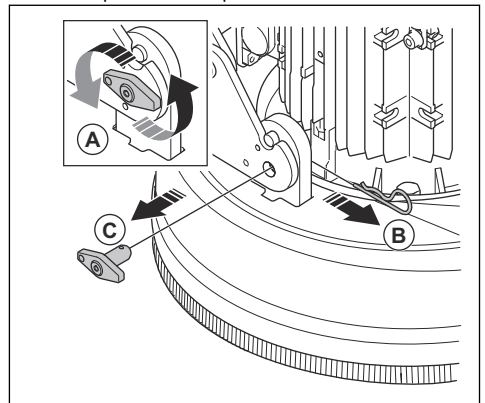
1. Desconecte el cable del motor del gabinete eléctrico (A).



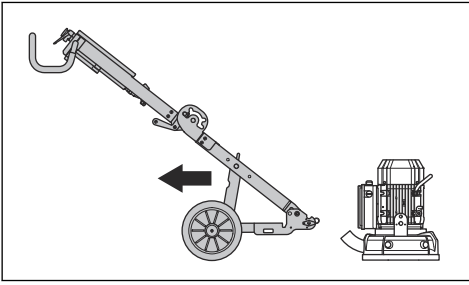
2. Empuje la palanca de la bisagra central y, al mismo tiempo, pliegue el bastidor superior hacia delante para poner la máquina en la posición de transporte.



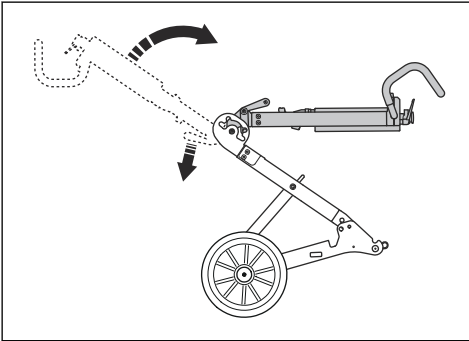
3. Afloje los pernos de bloqueo (A) por un par de vueltas para liberar la presión.



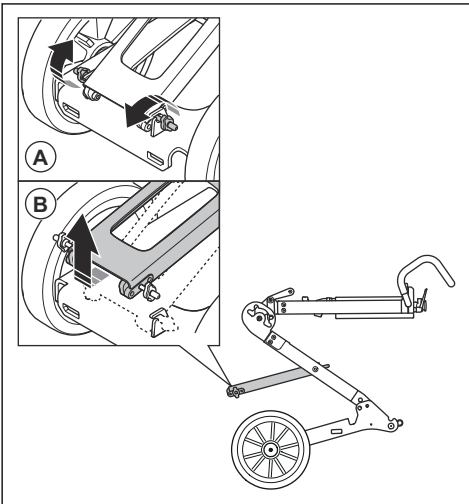
4. Quite los pasadores de bloqueo (B) y los pernos de bloqueo (C) en cada lado de la base de la amoladora.
5. Extraiga el chasis de la rueda de la base.



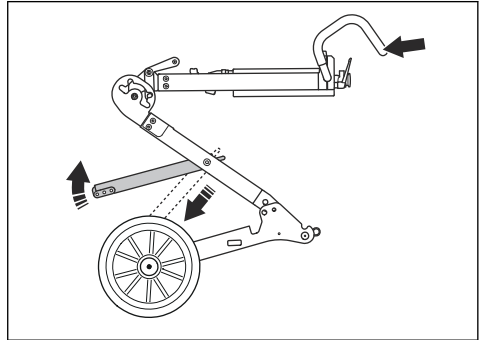
6. Empuje la palanca de la bisagra central y, al mismo tiempo, pliegue el bastidor superior hacia delante. El producto está en la posición de levantamiento.



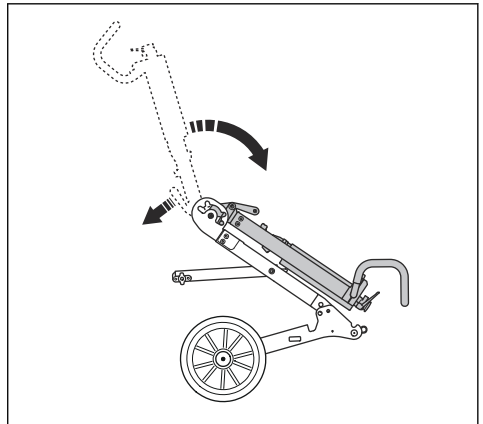
7. Quite las perillas de bloqueo (A) para aflojar el pie de apoyo (B).



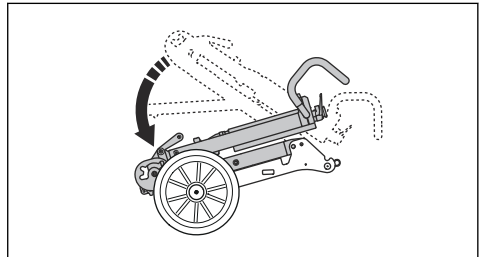
8. Sujete el manillar para mantener el bastidor estable y tire del pie de apoyo hacia afuera y hacia arriba.



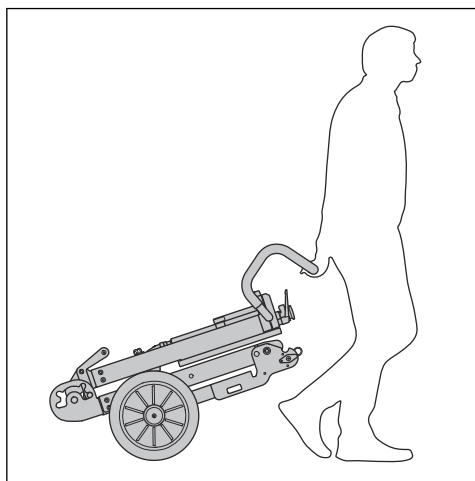
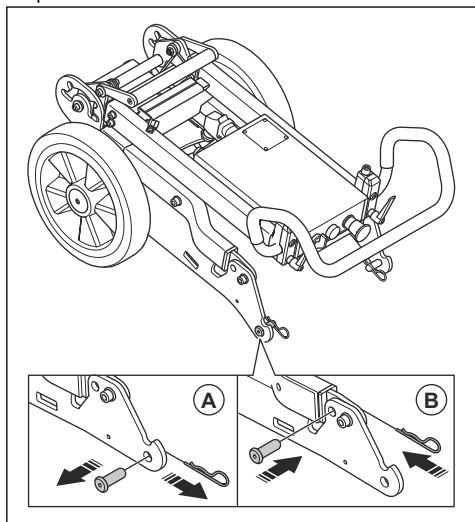
9. Sujete el manillar con una sola mano y empuje la palanca de la bisagra central. Esto permite poner el producto en la posición plegada.



10. Pliegue el producto cuidadosamente.



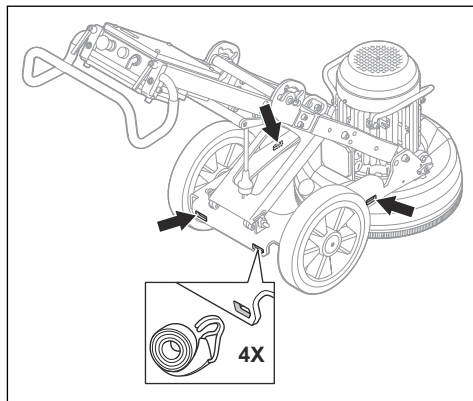
11. Mueva el pasador de bloqueo y el perno de bloqueo de la posición (A) a la posición (B) para bloquear el producto.



## Para fijar el producto a un vehículo de transporte

Fije el producto durante el transporte para evitar accidentes y daños al equipo. El producto cuenta con orificios que se usan para fijar el producto al vehículo con correas.

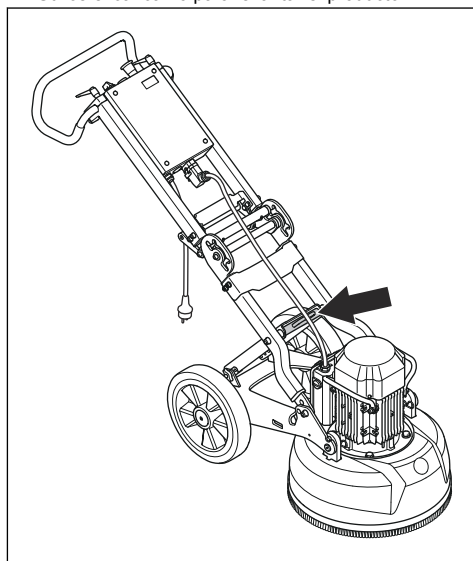
1. Pase la correa dentro de los orificios.



2. Fije y apriete la correa al vehículo.

## Para levantar el producto

1. Utilice el cáncamo para levantar el producto.



2. Asegúrese de que el producto esté equilibrado cuando lo levante. Pida ayuda a un transeúnte cuando levante el producto.

## Almacenamiento del producto

- Mantenga el producto en un área cerrada para evitar que los niños u otras personas sin autorización puedan acceder a él.
- Mantenga el producto en un lugar seco y sin escarcha.

## Datos técnicos

### Datos técnicos

	Monofásica, 220-240 V		Monofásica, 100-120 V	
	50 Hz	60 Hz	50 Hz	60 Hz
Potencia del motor, kW/hp	2,2/3,0	2,2/3,0	1,5/2,0	1,1/1,5
Corriente nominal, A	13	13	20	15
Voltaje nominal, V	220-240	220-240	100-120	100-120
Peso, kg/lb	109/240,3	109/240,3	109/240,3	109/240,3
Ancho de amolado, mm/pulg	450/17,7	450/17,7	450/17,7	450/17,7
Diámetro del disco de amolado, mm/pulg	3 x 180/3 x 7,1	3 x 180/3 x 7,1	3 x 180/3 x 7,1	3 x 180/3 x 7,1
Presión de amolado, kg/lb	59/130	59/130	59/130	59/130
Velocidad de rotación de la placa de la herramienta, rpm	705	865	470	575



---

# Table des matières

---

Introduction.....	41	Dépannage.....	55
Sécurité.....	43	Transport et entreposage.....	56
Fonctionnement.....	47	Données techniques.....	59
Entretien.....	54		

---

## Introduction

---

### Responsabilité du propriétaire



**AVERTISSEMENT** : La coupe, en particulier la coupe à sec, produit de la poussière qui provient du matériau coupé, qui contient souvent de la silice. La silice est un composant de base du sable, du quartz, de la brique d'argile, du granit et de nombreux autres pierres et minéraux. L'exposition à une quantité excessive de ces poussières peut entraîner :

Une maladie respiratoire (réduisant la capacité à respirer), notamment la bronchite chronique, la silicose et la fibrose pulmonaire causée par l'exposition à la silice. Ces maladies peuvent être fatales;

Des irritations et éruptions cutanées.

Le cancer, selon le NTP (National Toxicology Program) et le CIRC (Centre International de recherche sur le cancer).

Prendre les précautions suivantes :

Éviter l'inhalation et le contact cutané avec les poussières, brouillards et fumées.

Porter et veiller à ce que les personnes à proximité portent un dispositif de protection respiratoire approprié, tel un masque antipoussières filtrant les particules microscopiques. (Voir OSHA 29 CFR Part 1926.1153)

Pour réduire les émissions de poussières, effectuer une coupe humide lorsque cela est possible. Si une découpe à sec est nécessaire, utiliser un extracteur de poussière adéquat.

- Les consignes de sécurité relatives aux produits.
- L'éventail d'applications du produit et ses limites.
- La manière dont le produit doit être utilisé et entretenu.

Les règlements locaux ou nationaux peuvent limiter l'utilisation de ce produit. Rechercher les réglementations en vigueur où le travail est exécuté avant d'utiliser le produit.

### Description de l'outil

Le produit est une meuleuse électrique pour surfaces en béton de diverses duretés. La plage de meulage va des surfaces douces aux surfaces rugueuses.

Par exemple, le produit dispose des fonctions suivantes :

- Un cadre repliable pour faciliter le transport.
- Une protection de tête de meulage qui adapte le mouvement à la couche de surface.
- La plaque de l'outil est faite de 3 disques de meulage. L'ensemble complet comporte 3 segments sur chaque disque de meulage.
- Support en résine pour outils diamantés à liant plastique.
- La fiche de courant peut être modifiée en monophasé ou triphasé.
- Zone de meulage de 450 mm.

### Utilisation prévue

Utiliser le produit pour meuler les surfaces en béton de différentes duretés telles que le terrazzo et les tuiles en pierre.

Le produit est destiné aux activités commerciales légères sur les propriétés privées et les petits commerces.

---

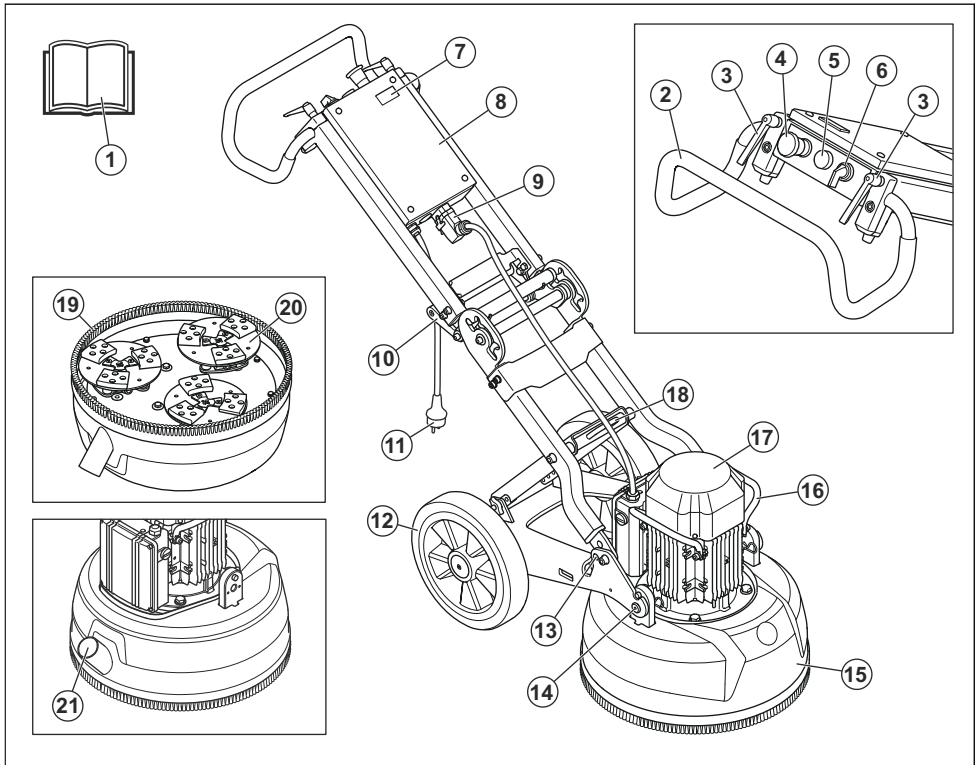
Il est de la responsabilité du propriétaire ou de l'employeur de s'assurer que l'utilisateur possède les connaissances nécessaires pour manipuler le produit en toute sécurité. Les superviseurs et les utilisateurs doivent avoir lu et compris le manuel d'utilisation. Ils doivent être conscients des éléments suivants :



**AVERTISSEMENT** : Ne pas utiliser l'outil pour d'autres tâches.

---

## Présentation du produit



1. Manuel d'utilisation
2. Poignée/guidon
3. Boutons de verrouillage pour le réglage de la poignée de guidon
4. Arrêt d'urgence
5. Témoin de surcharge
6. Interrupteur ON/OFF (Marche-Arrêt)
7. Compteur horaire
8. Armoire électrique
9. Raccord du câble du moteur
10. Poignée à joint angulaire
11. Prise d'alimentation
12. Roues en caoutchouc
13. Fonction de verrouillage
14. Boulon de blocage pour fixer le moteur ou la tête de meulage
15. Protection de tête de meulage
16. Poignée de levage, moteur
17. Moteur électrique
18. Anneau de levage
19. Brossette

20. Plaque de l'outil – trois disques de meulage
21. Raccord, tuyau d'aspiration

### Symboles figurant sur la machine



**AVERTISSEMENT** : Une utilisation insouciante ou inappropriée peut causer des blessures à l'utilisateur ou à d'autres personnes ou causer leur mort.



Lire attentivement le manuel et veiller à bien comprendre les directives avant d'utiliser l'outil.



Toujours mettre des protège-oreilles, des lunettes de protection et un masque antipoussière.



**AVERTISSEMENT!** La poussière peut causer des problèmes respiratoires. Utiliser un masque antipoussière. Ne pas respirer

les gaz d'échappement. Toujours s'assurer qu'il y a une bonne circulation d'air.

**Remarque :** Les autres symboles et autocollants apposés sur le produit se rapportent aux exigences en matière de certification pour certains marchés.

## Responsabilité concernant le produit

Comme indiqué dans les lois en vigueur sur la responsabilité concernant les produits, nous ne serons

pas tenus responsables des dommages que notre produit causerait dans les situations suivantes :

- Le produit n'est pas réparé de façon adéquate.
- Le produit est réparé avec des pièces qui ne sont pas fournies ou homologuées par le fabricant.
- Le produit comprend un accessoire qui n'est pas fourni ou homologué par le fabricant.
- Le produit n'est pas réparé par un centre de service après-vente agréé ou par une autorité homologuée.

## Sécurité

### Définitions relatives à la sécurité

Les avertissements, recommandations et remarques soulignent des points du manuel qui revêtent une importance particulière.



**AVERTISSEMENT :** Indique la présence d'un risque de blessure ou de décès de l'utilisateur ou de personnes à proximité si les instructions du manuel ne sont pas suivies.



**MISE EN GARDE :** Indique la présence d'un risque de dommages au produit, à d'autres appareils ou à la zone adjacente si les instructions du manuel ne sont pas suivies.

**Remarque :** Utilisé pour donner des renseignements plus détaillés qui sont nécessaires dans une situation donnée.

### Consignes générales de sécurité



**AVERTISSEMENT :** Lire les messages d'avertissement qui suivent avant d'utiliser l'outil. Conserver tous les avertissements et toutes les instructions. Se reporter aux avertissements et instructions au cours des futurs travaux, si nécessaire.

- La section Sécurité offre des instructions de base sur la façon d'utiliser le produit de façon adéquate. Cette information n'est pas destinée à remplacer les compétences et l'expérience professionnelle. Dans une situation où on ne se sent pas en sécurité, arrêter et demander du soutien professionnel. Communiquer avec un revendeur, un atelier de réparation ou un utilisateur expérimenté. Ne pas tenter d'effectuer des tâches lorsqu'on a des appréhensions!
- Maintenir l'espace de travail propre et éclairé, ce qui réduit le risque d'accident.

### Consignes de sécurité pour l'utilisation



**AVERTISSEMENT :** Lire les messages d'avertissement qui suivent avant d'utiliser l'appareil. Conserver ces instructions et consignes pour utilisation ultérieure.



**AVERTISSEMENT :** Une surexposition aux vibrations peut entraîner des problèmes circulatoires ou des troubles nerveux, en particulier chez les personnes ayant des troubles circulatoires. En cas de symptômes liés à une surexposition aux vibrations, consulter un médecin. Ces symptômes sont les suivants : engourdissement, perte de sensibilité, fourmillement, picotement, douleur, faiblesse musculaire, décoloration ou modification de l'épiderme. Ces symptômes apparaissent habituellement aux doigts, aux mains et aux poignets.

- Utiliser le produit seulement pour les applications décrites dans le présent manuel. Se reporter à la section *Utilisation prévue à la page 41*.
- Utiliser de l'équipement de protection individuelle. Se reporter à la section *Équipement de protection personnelle à la page 44*.
- Ne pas s'éloigner du produit lorsque le moteur est sous tension.
- Raccorder le câble du moteur à l'armoire électrique avant de brancher la prise.
- Ne pas laisser d'autres opérateurs utiliser le produit s'ils n'ont pas lu et compris le contenu de ce manuel d'utilisation.
- Ne pas faire démarrer le produit alors que la brosette est montée. La brosette doit adhérer fermement à la surface, surtout pendant les opérations sur surface sèche.
- S'assurer que la brosette n'est pas endommagée et qu'elle est propre. Remplacer les brosettes endommagées.

- Maintenir le moteur en marche jusqu'à ce que le ventilateur passe à l'arrêt complet.
- Lever la tête de meulage si une vérification de la procédure de démarrage est nécessaire.
- Ne pas démarrer le produit alors que la tête de meulage se trouve sur la surface.
- S'assurer que seules les personnes approuvées se trouvent dans la zone de travail.
- Ne pas utiliser ce produit dans des zones où un incendie ou des explosions peuvent se produire.
- Toujours démonter l'outil diamanté après chaque utilisation.
- S'assurer que la plaque de l'outil ne tourne pas si on lève le produit. La plaque de l'outil continue de tourner pendant un moment après l'arrêt du moteur.
- Lorsqu'on retire les outils diamantés, laisser le produit refroidir et utiliser des gants de protection. Les outils diamantés sont très chaud après utilisation.
- Prendre soin de brancher le produit à un aspirateur de poussière pour retirer la poussière.
- S'assurer que le produit est monté de façon adéquate.
- Pour lever le produit, toujours utiliser l'anneau de levage du produit.
- Ne pas utiliser le produit s'il y a des signes de dommages
- Ne pas démarrer le produit alors que la tête de meulage touche la surface, sauf après vérification du commutateur ON/OFF (Marche-Arrêt).
- Utiliser le produit seulement en étant positionné derrière, les deux mains sur la poignée.
- Ne pas faire fonctionner le produit sans avoir reçu une formation relative à son fonctionnement. S'assurer que tous les utilisateurs reçoivent une formation.
- Veiller à ce que seules les personnes autorisées se trouvent dans la zone de travail, parce qu'il y a des risques de blessure.
- S'assurer que les vêtements, les cheveux longs et les bijoux ne peuvent pas se coincer dans les pièces en mouvement.
- S'assurer d'être dans une position stable et sécuritaire au cours du travail.
- L'apparition soudaine de personnes et d'animaux peut empêcher l'utilisation sécuritaire du produit. Toujours utiliser le produit avec précaution et être prêt à arrêter le produit en cas de besoin.
- Ne pas laisser les enfants utiliser le produit ou s'en approcher.
- S'assurer qu'il y a toujours une personne aux alentours lors de l'utilisation du produit. De l'aide sera ainsi disponible en cas d'accident ou de besoin.
- Ne pas utiliser l'outil en cas de fatigue, de maladie ou sous l'emprise de l'alcool, de drogues ou de médicaments. Cela peut diminuer l'acuité visuelle, le jugement ou la coordination.

- Ne pas utiliser un produit qui a été modifié de sa configuration d'usine.
- Toujours utiliser des accessoires approuvés. Pour obtenir de plus amples renseignements, communiquer avec votre concessionnaire.

## Équipement de protection personnelle



**AVERTISSEMENT** : Lire les messages d'avertissement qui suivent avant d'utiliser l'appareil.

- Toujours utiliser un équipement de protection personnelle lors de l'utilisation du produit. L'équipement de protection personnelle ne supprime pas le risque de blessures. L'équipement de protection personnelle réduit la gravité des blessures en cas d'accident. Laisser le concessionnaire vous aider à sélectionner l'équipement adéquat.
- Utiliser un dispositif de protection homologué pour les yeux pendant l'utilisation du produit.
- Ne pas utiliser des vêtements lâches, lourds ou non adéquats. Utiliser des vêtements qui permettent de se déplacer librement.
- Utiliser des gants de protection homologués qui offrent une prise solide.
- Porter des gants de protection en caoutchouc afin d'éviter toute irritation de la peau causée par le béton humide.
- Utiliser un casque de protection approuvé.
- Toujours porter un dispositif de protection homologué pour les oreilles lorsqu'on utilise le produit. Le fait d'entendre du bruit pendant une longue période peut engendrer une perte auditive.
- Le produit génère de la poussière et des fumées qui contiennent des produits chimiques dangereux. Utiliser une protection respiratoire adéquate.
- Utiliser des bottes à embout en acier et semelles antidérapantes.
- Vérifier qu'on dispose d'une trousse de premiers soins à proximité.
- Des étincelles peuvent se produire pendant l'utilisation du produit. S'assurer d'avoir un extincteur à proximité.

## Sécurité électrique



**AVERTISSEMENT** : Les appareils électriques comportent toujours un danger d'électrocution. Ne pas utiliser le produit dans des conditions climatiques défavorables. Ne pas toucher les paratonnerres et les objets métalliques. Utiliser toujours le produit comme indiqué dans ce manuel d'utilisation pour éviter les blessures.



**MISE EN GARDE** : Le produit est conforme aux exigences de la norme EN61000-3-11 et sa garantie est conditionnelle au branchement à l'alimentation secteur. Communiquer avec l'autorité pour obtenir des instructions sur le branchement du produit.

Brancher le produit seulement sur l'alimentation secteur à une résistance inférieure à 0,28 Ω. Demander à l'autorité d'indiquer le point d'interface de la résistance du système.

Si la prise secteur offre une résistance plus élevée, une chute de tension peut se produire lorsque le produit est mis en marche. Cela peut influencer sur le fonctionnement d'autres produits et occasionner par exemple le scintillement de l'éclairage.

- S'assurer que l'alimentation, le fusible et la tension de secteur correspondent à la valeur indiquée sur la plaque signalétique du produit.
- Toujours arrêter le produit avant de débrancher la fiche d'alimentation.
- Ne pas utiliser le produit si le cordon d'alimentation ou la prise d'alimentation sont endommagés. Le confier à un centre d'entretien agréé pour réparation. Un câble endommagé peut provoquer des blessures graves, voire mortelles.
- Utiliser le cordon de façon adéquate. Ne pas utiliser le cordon pour déplacer, tirer ou débrancher le produit. Tenir la fiche d'alimentation pour déconnecter le cordon d'alimentation.
- Ne pas faire fonctionner le produit à une profondeur où l'équipement du produit est mouillé. Il est possible que l'équipement soit endommagé et que le produit se mette sous tension et engendre des blessures.
- Ne pas laisser davantage d'humidité pénétrer dans le produit que celle qui est fournie par le système à eau. Éviter que pluie entre en contact avec le produit. L'eau qui entre dans un produit électrique augmente le risque d'électrocution.
- Toujours débrancher le cordon d'alimentation pour brancher ou débrancher le câble du moteur et l'armoire électrique.

### Instructions de mise à la terre du produit



**AVERTISSEMENT** : Un mauvais branchement peut engendrer un risque d'électrocution. Communiquer avec un électricien agréé si on n'est pas certain que le produit est correctement mis à terre.

Ne pas modifier la spécification d'usine de la fiche d'alimentation. Si la fiche d'alimentation n'est pas adaptée à la prise de courant, laisser un électricien agréé installer une prise d'alimentation secteur

adéquate. Respecter les lois et règlements locaux.

Si on ne comprend pas bien les instructions de mise à la terre du produit, communiquer avec un électricien agréé.

Le produit est doté d'un cordon et d'une fiche d'alimentation. Toujours brancher le produit sur une prise d'alimentation secteur mise à la terre. Cela permet de réduire le risque de choc électrique en cas de dysfonctionnement.

Ne pas utiliser d'adaptateur avec le produit.

### Rallonges

- La catégorie indiquée sur la rallonge doit être identique ou supérieure à celle indiquée sur la plaque signalétique du produit.
- Utiliser des rallonges mises à la terre.
- Quand on utilise un outil électrique à l'extérieur, se servir d'une rallonge qui convient à un fonctionnement à l'extérieur. L'utilisation d'une telle rallonge réduit le risque d'électrocution.
- Maintenir la connexion au câble de rallonge au sec et éloignée du sol.
- Tenir le cordon à l'écart de la chaleur, de l'huile, des bords tranchants et des pièces mobiles. Les câbles endommagés ou trop grands augmentent le risque d'électrocution.
- Vérifier que les câbles ne sont pas endommagés et qu'ils sont en bon état. Ne pas utiliser le produit si un câble est endommagé. Demander à un centre d'entretien agréé de réparer le produit.
- Afin d'éviter la surchauffe, ne pas utiliser la rallonge alors qu'elle est enroulée.
- S'assurer que le cordon d'alimentation se trouve derrière lors de l'utilisation du produit. Cette situation permet d'éviter d'endommager le cordon d'alimentation.
- Lorsqu'on doit utiliser une rallonge, choisir seulement une rallonge certifiée et d'une longueur suffisante.

### Dispositifs de sécurité sur l'outil

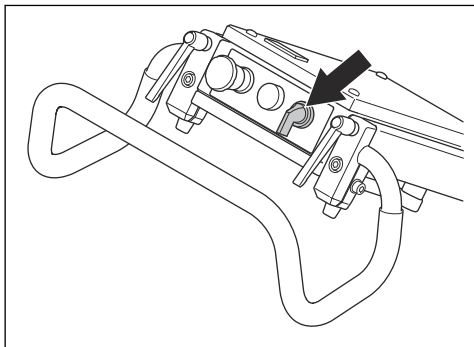


**AVERTISSEMENT** : Lire les messages d'avertissement qui suivent avant d'utiliser l'outil.

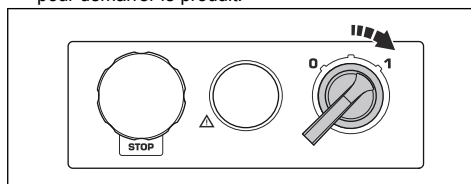
- Ne pas utiliser un outil dont les dispositifs de protection sont défectueux.
- Vérifier régulièrement les dispositifs de sécurité, se reporter à la section *Entretien quotidien à la page 54*. Si les dispositifs de sécurité sont défectueux, communiquer avec un agent d'entretien HTC Floor Systems approuvé.
- Ne pas altérer les dispositifs de sécurité.

### Interrupteur ON/OFF (Marche-Arrêt)

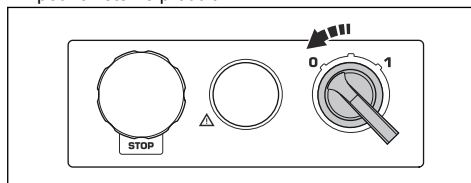
L'interrupteur ON/OFF (Marche-Arrêt) sert à démarrer et à arrêter le produit.



3. Tourner l'interrupteur de marche/arrêt à la position 1 pour démarrer le produit.

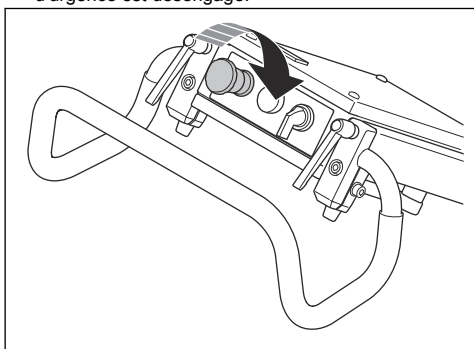


4. Attendre cinq secondes afin de laisser le produit tourner au ralenti.
5. Tourner l'interrupteur de marche/arrêt à la position 0 pour arrêter le produit.

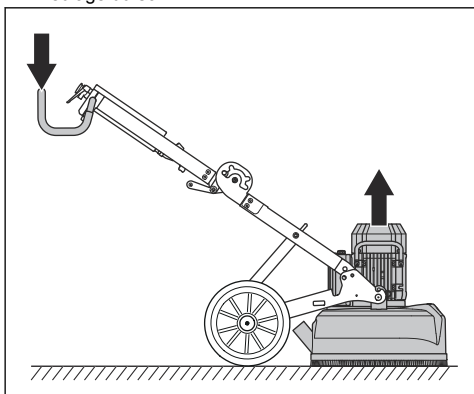


### Vérification de l'interrupteur ON/OFF (Marche-Arrêt)

1. Tourner le bouton d'arrêt d'urgence dans le sens horaire pour s'assurer que le bouton d'arrêt d'urgence est désengagé.

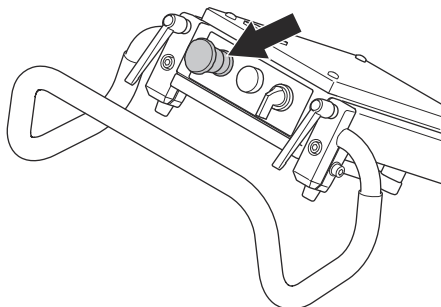


2. Appuyer la poignée vers le bas pour lever la tête de meulage du sol.



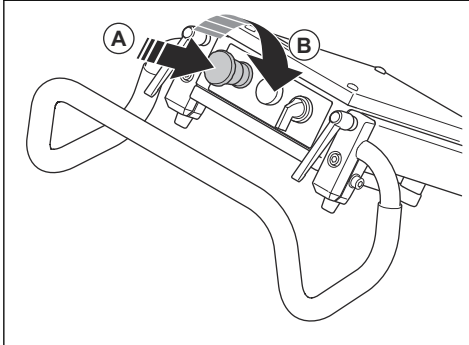
### Arrêt d'urgence

L'arrêt d'urgence permet d'arrêter rapidement le moteur. Le bouton d'arrêt d'urgence au niveau du produit coupe l'alimentation électrique principale.



### Pour vérifier l'interrupteur d'arrêt d'urgence

1. Appuyer sur le bouton d'arrêt d'urgence (A) et s'assurer que le moteur s'arrête.



2. Tourner le bouton d'arrêt d'urgence dans le sens horaire (B) pour le dégager.

### Consignes de sécurité pour la maintenance

- Garder toutes les pièces en bon état d'utilisation et s'assurer que toutes les fixations sont correctement serrées.
- Ne pas utiliser un produit endommagé. Effectuer les vérifications de sécurité, de maintenance et d'entretien conformément aux instructions fournies dans ce manuel. Tous les autres travaux de maintenance doivent être effectués par un agent d'entretien agréé.
- Arrêter le produit pour remplacer les outils diamantés. Placer l'interrupteur ON/OFF (Marche-Arrêt) à la position 0 et appuyer sur le bouton d'arrêt d'urgence.
- Effectuer l'inspection et/ou l'entretien avec le moteur arrêté et la prise d'alimentation débranchée.
- Effectuer la maintenance pour s'assurer que le produit fonctionne de façon adéquate. Se reporter à la section *Entretien quotidien* à la page 54

## Fonctionnement

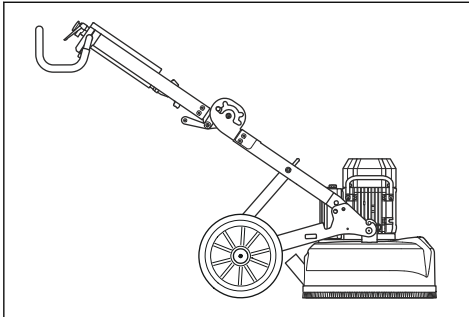
### Introduction



**AVERTISSEMENT** : Avant d'utiliser le produit, lire et bien comprendre le chapitre sur la sécurité.

### Positions du produit

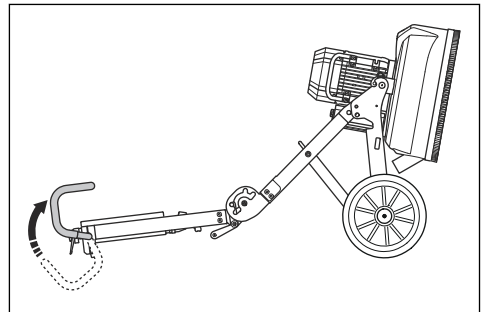
#### Position de fonctionnement



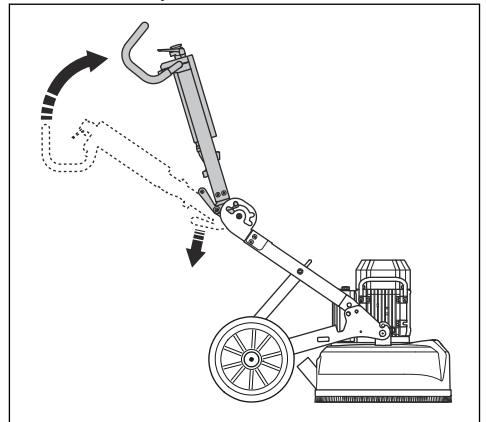
#### Position d'entretien



**MISE EN GARDE** : Ne placer le produit à la position d'entretien que sur une surface horizontale.

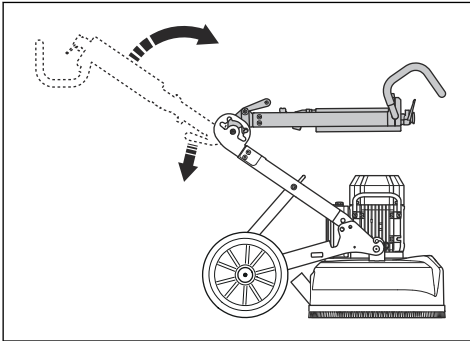


#### Position de transport inclinée



### Position de transport par levage

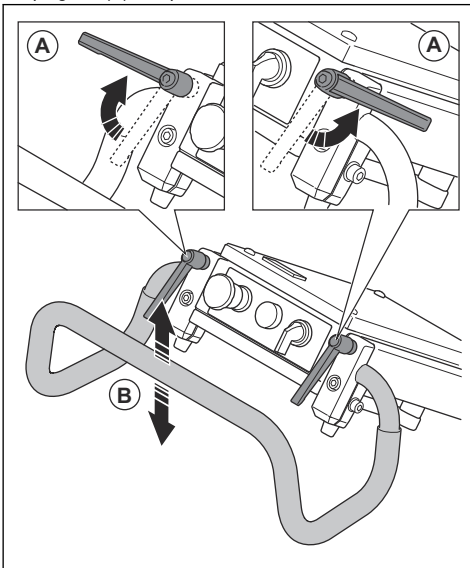
Mettre en place une protection entre le moteur et l'armoire électrique pour éviter d'endommager le produit.



### Réglage du guidon

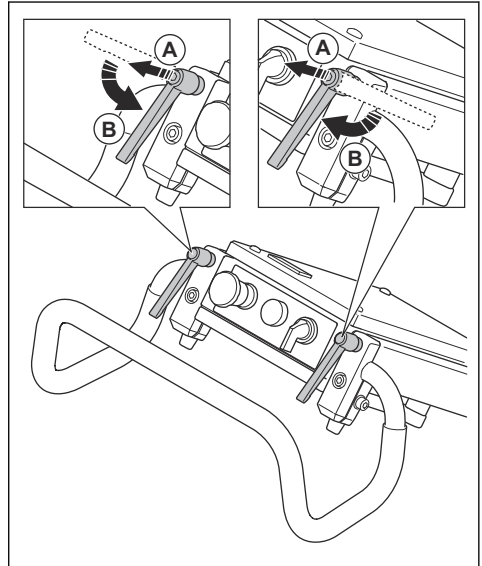
Les boutons de verrouillage de la poignée fonctionnent dans le sens horaire, dans le sens antihoraire ou à la position de ralenti.

1. Desserrer les boutons de verrouillage (A) et régler la poignée (B) à la position voulue.



2. Serrer les boutons de verrouillage pour régler la position.

3. Lorsque la position de la poignée est réglée, tirer les boutons de verrouillage de la poignée vers le haut (A) et les placer à la position de ralenti (B).



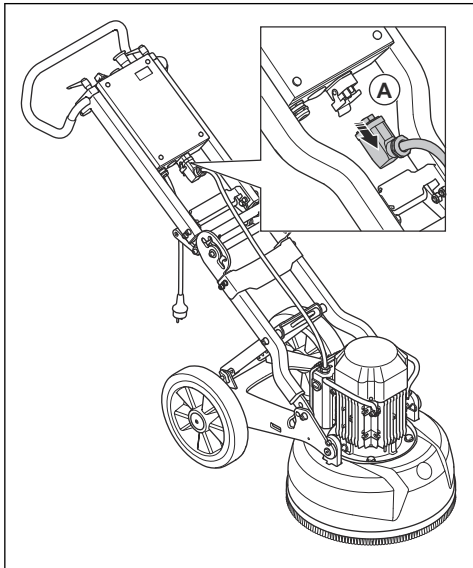
### Réglage de la hauteur du châssis

On peut modifier l'angle du châssis pour diviser le poids du châssis. Il s'agit de réduire ou augmenter la pression de meulage à la surface.

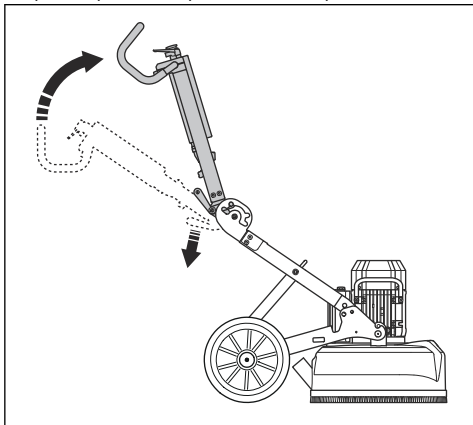
Régler l'angle pour configurer une bonne position de travail pour différents opérateurs.



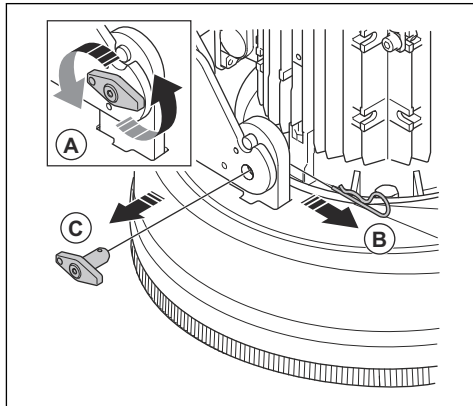
1. Débrancher le câble du moteur (A) de l'armoire électrique.



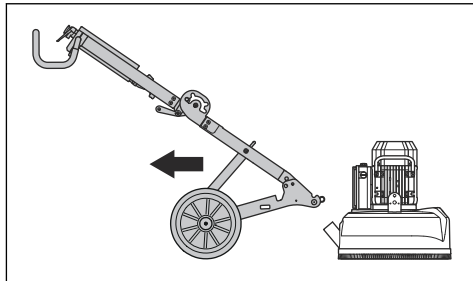
2. Appuyer la poignée sur la charnière centrale et en même temps replier le châssis supérieur vers l'avant pour le placer à la position de transport.



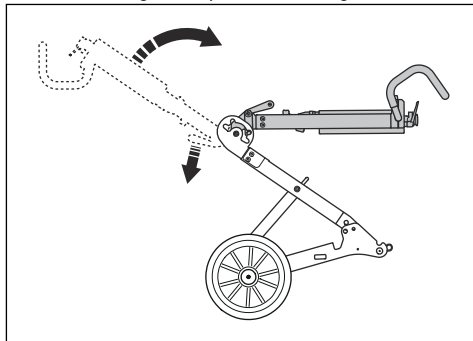
3. Desserrer les boulons de verrouillage (A) de quelques tours pour relâcher la pression.



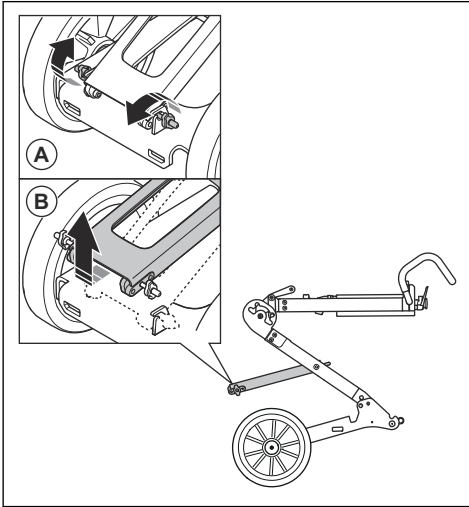
4. Retirer les goupilles de verrouillage (B) et retirer les boulons (C) de chaque côté de la tête de meulage.  
5. Retirer le châssis de roue de la tête de meulage.



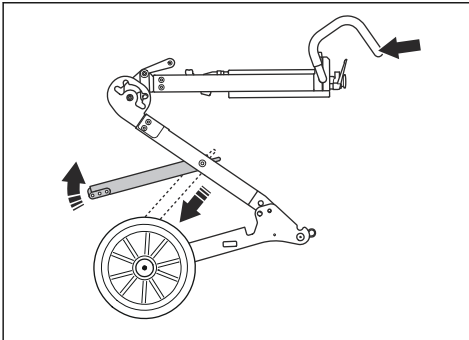
6. Appuyer la poignée sur la charnière centrale et en même temps replier le châssis supérieur vers l'avant. Il s'agit de la position de levage.



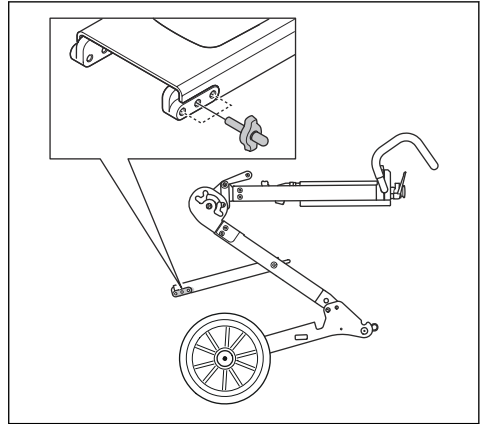
7. Retirer les boutons de verrouillage (A) pour desserrer le pied de support (B).



8. Tenir le guidon pour garder le châssis stable et lever le pied d'appui vers l'extérieur et vers le haut.



9. Sélectionner la position applicable pour le fonctionnement et serrer le bouton de verrouillage. Le trou inférieur augmente la pression de meulage et de la hauteur du guidon. Le trou supérieur réduit la pression de meulage et la hauteur du guidon.



#### Hauteurs de poignée

Position du trou	Hauteur de poignée, mm/po
Haut	835/33
Centrale	925/36
Inférieure	1000/39

#### Outils diamantés

Il y a plusieurs types d'outils diamantés pour le produit. Communiquer avec votre centre d'entretien agréé ou consulter [www.htc-floorsystems.com](http://www.htc-floorsystems.com) pour choisir le bon outil diamanté.

#### Installation des outils diamantés

L'installation des outils diamantés sur la plaque de l'outil n'a aucun effet sur les performances du produit. Le type d'outil diamanté, ainsi que le nombre de segments sur l'outil diamanté est important.

Utiliser les outils diamantés à liant métallique avec deux segments pour les opérations de meulage habituelles, pour mettre la surface à niveau ou pour un léger retrait.

Utiliser les outils diamantés à liant métallique avec un segment diamanté pour augmenter la pression de l'outil diamanté. Cette installation est conçue pour les travaux de retrait avec force excessive.

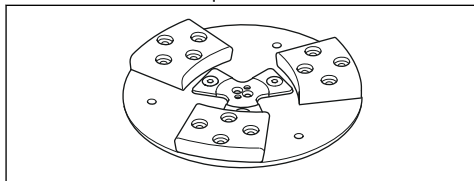
Pour les travaux de retrait plus lourds, nous recommandons d'utiliser des outils qui fonctionnent dans un seul sens avec des parties supérieures en diamant PCD.

**Remarque :** Les outils T-Rex sont conçus pour tourner dans un seul sens.

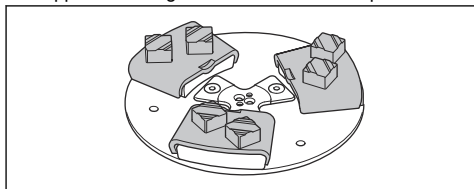
### Outils diamantés à liant métallique

**Remarque :** Nous recommandons d'utiliser 3 outils avec 1 segment sur chaque support EZchange™ lors du retrait d'une surface ou de béton habituel.

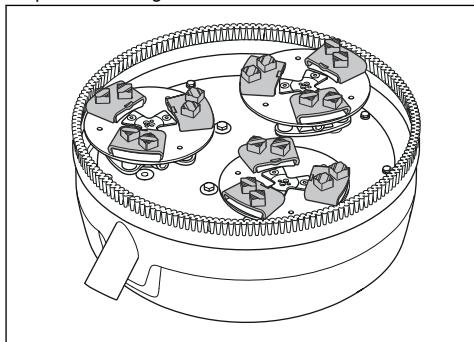
- Utiliser le support EZchange™ pour fixer des outils diamantés à liant métallique.



- Un support EZchange™ avec ensemble complet.

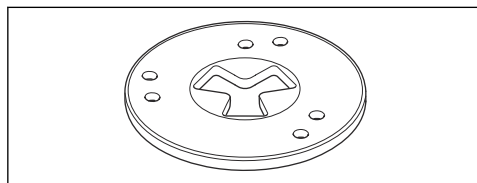


- Plaque d'outil avec ensemble complet sur les trois disques de meulage.

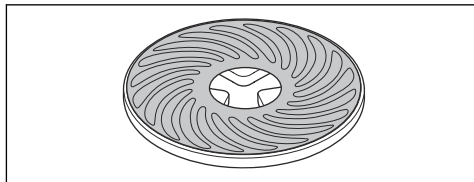


### Outils diamantés à liant en résine

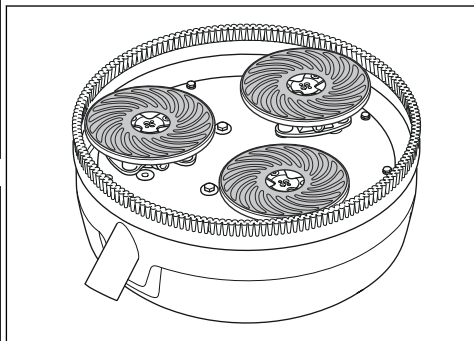
- Utiliser un disque de support en résine pour fixer des outils diamantés à liant plastique.



- Outil à liant plastique monté sur disque de support à liant en résine.



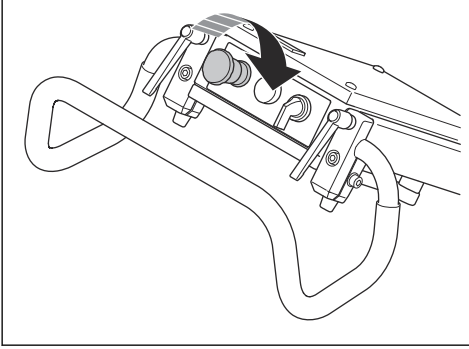
- Plaque d'outil avec ensemble complet sur les trois disques de support en résine.



### Avant d'utiliser le produit

1. Lire attentivement le manuel d'utilisation et veiller à bien comprendre les directives.
2. Effectuer l'entretien quotidien. Se reporter à la section *Entretien quotidien* à la page 54.
3. S'assurer que le produit est correctement monté et qu'il n'est pas endommagé.
4. Placer le produit sur la zone de travail.
5. S'assurer que les outils diamantés se trouvent sur la plaque de l'outil et qu'ils sont bien montés.
6. Brancher l'extracteur de poussière sur le produit. Se reporter à la section *Branchement de l'extracteur de poussière* à la page 54.
7. Régler le guidon pour configurer la hauteur de travail requise.
8. S'assurer que le câble du moteur est raccordé à l'armoire électrique avant que le produit soit branché à une prise électrique.
9. Brancher la fiche du produit dans la prise de courant.

10. Tourner le bouton d'arrêt d'urgence dans le sens horaire pour s'assurer que le bouton d'arrêt d'urgence est désengagé.



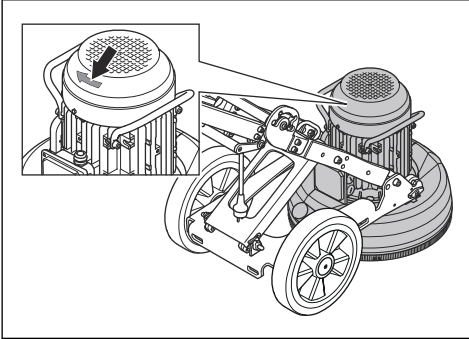
11. S'assurer de savoir dans quel sens le moteur tourne.

### Pour modifier le sens de rotation du moteur

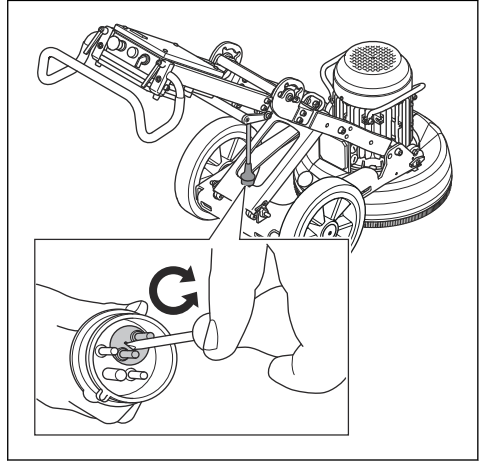


**MISE EN GARDE :** Les outils T-Rex doivent tourner dans un seul sens.

1. Regarder la flèche pour voir dans quel sens le moteur tourne.

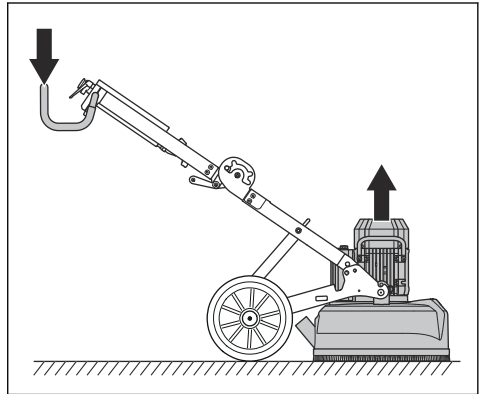


2. Faire pivoter les 2 broches de la fiche d'alimentation électrique dans le sens opposé au changement de sens de rotation du moteur. Cette situation est applicable aux moteurs triphasés seulement.

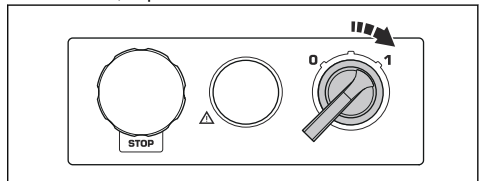


### Mise sous tension de l'appareil

1. Appuyer la poignée vers le bas lever légèrement la tête de meulage de la surface, d'environ 1 mm. Cela permet de réduire la pression sur la surface. Ne pas complètement lever la tête de meulage de la surface.



2. Tourner l'interrupteur de marche/arrêt à la position 1 pour démarrer le produit. En moins de cinq secondes, le produit fonctionne au ralenti.



## Arrêt de la machine

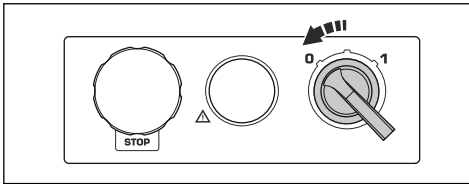


**MISE EN GARDE :** Ne pas lever la plaque de l'outil de la surface pour arrêter le moteur. La plaque de l'outil tourne pendant un moment après l'arrêt du moteur. Beaucoup de poussière peut se disperser dans l'air et la surface peut s'endommager.



**MISE EN GARDE :** Si on meule de l'asphalte adhésif, de la peinture ou un matériau équivalent, lever légèrement l'avant du produit lorsque la plaque de l'outil s'arrête. Si on ne soulève pas le produit, il peut s'accrocher à la surface adhésive.

1. Tourner l'interrupteur de marche/arrêt à la position 0 pour couper le moteur.



2. Maintenir la plaque de l'outil contre la surface. S'assurer que la plaque de l'outil ne tourne pas avant que la partie avant soit soulevée.
3. Débrancher la fiche d'alimentation.

## Remplacement des outils à diamants

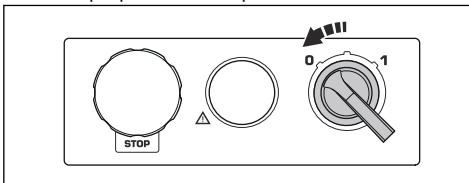


**AVERTISSEMENT :** Déconnecter la bougie.

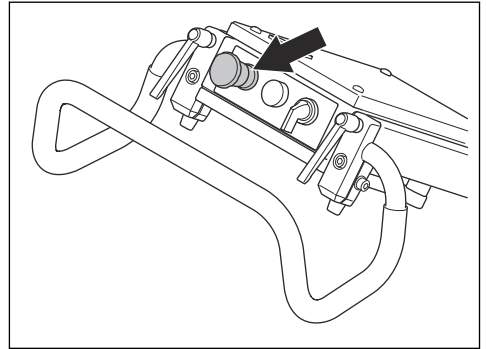


**AVERTISSEMENT :** Utiliser des gants de protection, parce que les outils diamantés peuvent devenir très chauds.

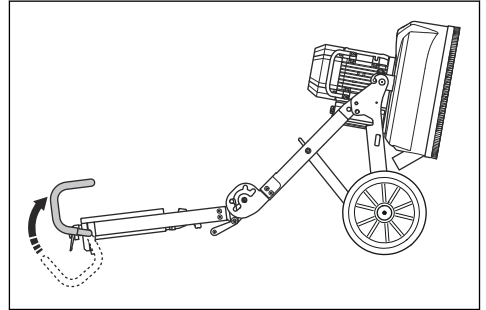
1. Placer l'interrupteur ON/OFF (Marche-Arrêt) à la position 0 et débrancher la fiche d'alimentation électrique pour arrêter le produit.



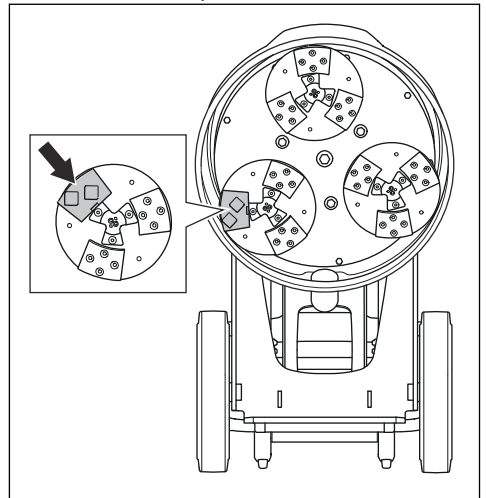
2. Appuyer sur le bouton d'arrêt d'urgence.



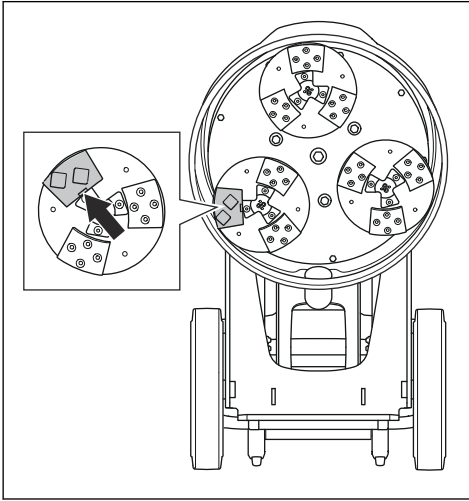
3. Placer le produit à la position d'entretien.



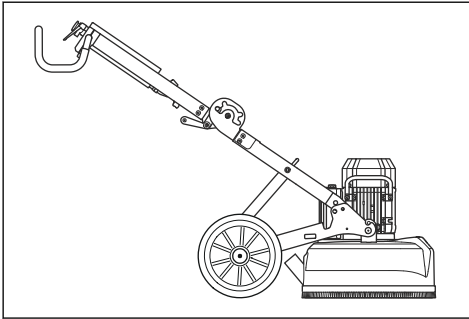
4. Utiliser un marteau pour retirer les outils diamantés.



5. Monter les nouveaux outils diamantés sur la plaque de l'outil.



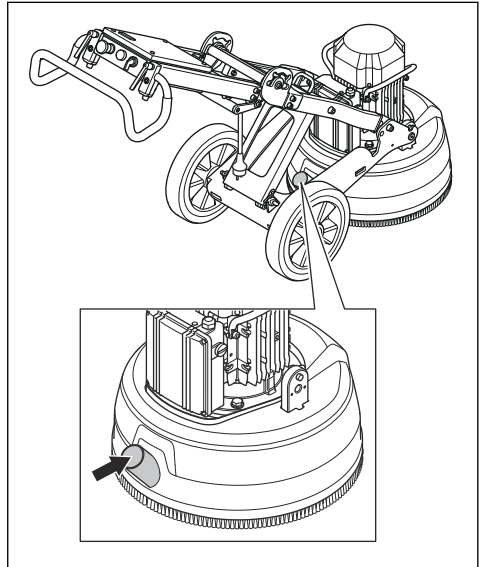
6. Lors du remplacement des outils diamantés, placer le produit à la position de fonctionnement.



## Branchement de l'extracteur de poussière

Utiliser un système extracteur de poussière HTC Floor Systems.

1. Brancher l'extracteur de poussière sur le produit. Utiliser un flexible de 50 mm (2 po).



2. Veiller à ce que les filtres de l'extracteur de poussière soient en bon état et non endommagés. Surveiller la poussière pendant l'opération.

---

## Entretien

### Introduction



**AVERTISSEMENT** : Avant de procéder à l'entretien, lire et bien comprendre le chapitre sur la sécurité.

Pour tous les travaux d'entretien et de réparation sur le produit, une formation spécifique est nécessaire. La disponibilité des réparations et des entretiens effectués de façon professionnelle est garantie. Si un distributeur n'est pas un agent d'entretien, communiquer avec lui pour connaître l'agent d'entretien le plus proche.

### Entretien quotidien

L'entretien quotidien implique qu'il faut nettoyer le produit. Il faut également vérifier l'alimentation électrique, la brosse et le support de meulage.

### Nettoyage de la machine



**MISE EN GARDE** : L'obstruction de l'admission d'air réduit les performances du produit et peut entraîner la surchauffe du moteur.

- Toujours débrancher la fiche de la prise secteur avant de nettoyer, procéder à l'entretien ou assembler le produit.

- Toujours nettoyer tous les équipements à la fin de la journée de travail. Ne pas utiliser de nettoyeur à haute pression pour nettoyer la tondeuse.
- Enlever l'obstruction de toutes les ouvertures. Le produit doit toujours être suffisamment refroidi.

### Vérification de l'alimentation électrique



**AVERTISSEMENT** : Ne pas utiliser les câbles s'ils sont endommagés. Un câble endommagé peut provoquer des blessures graves, voire mortelles.

- Vérifier que le cordon d'alimentation et la rallonge sont intacts et en bon état.
- Ne pas utiliser ce produit si le cordon d'alimentation est endommagé. Demander à un centre d'entretien agréé de réparer le produit.

### Vérification de la brosette

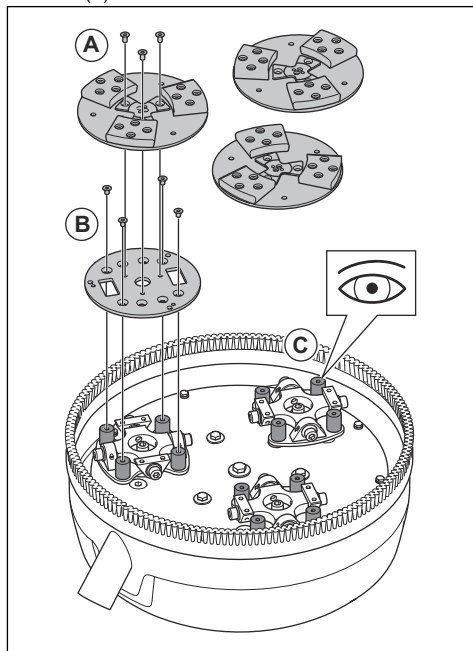
- S'assurer que la brosette est pleine.
- S'assurer que la brosette touche la surface.

### Vérification du support de meulage



**MISE EN GARDE** : L'état du support de meulage est important pour la performance et la sécurité.

- Retirer les disques de meulage (A) et les plaques de l'outil (B).



- Examiner le support de meulage pour détecter les dommages et l'usure des cylindres en caoutchouc (C).
- Remplacer les cylindres en caoutchouc au besoin.

## Dépannage

### L'outil ne démarre pas

- S'assurer que l'alimentation et les cordons d'alimentation ne sont pas endommagés.
- Examiner le bouton d'arrêt d'urgence et tourner le bouton dans le sens horaire pour relâcher le bouton d'arrêt d'urgence.
- Examiner le témoin de surcharge. Si le témoin de surcharge est allumé, laisser le moteur refroidir pendant quelques minutes jusqu'à ce que le produit se réinitialise de façon automatique.

### Le produit n'est pas facile à tenir

- Il y a trop peu d'outils diamantés installés sur le produit.
- Le type sélectionné des outils diamantés n'est pas adéquat pour la surface.
- Le courant utilisé par le moteur est trop élevé pour l'opération.
- Utiliser le nombre d'outils diamantés recommandé pour réduire la force exercée sur le produit et

l'opérateur. Se reporter à la section *Outils diamantés à la page 50.*

### Le produit effectue des mouvements brusques

- S'assurer que tous les outils diamantés sont correctement installés et qu'ils sont tous à la même hauteur.

### Le produit s'arrête après seulement un certain temps

- En cas de surcharge du produit, la protection contre la surcharge s'engage et arrête le moteur.
- Réduire la charge. Utiliser le trou inférieur pour placer le guidon à la position supérieure et augmenter la pression de meulage. Utiliser le trou supérieur pour placer le guidon à la position inférieure et réduire la pression de meulage.
- Le produit redémarre après environ une minute, lorsque la température du moteur a baissé au niveau habituel.

- S'assurer que les rallonges ne sont pas endommagées.

## Le produit s'arrête lors du démarrage

Une tension d'alimentation adéquate est nécessaire pour que le moteur offre de bonnes performances. Des câbles de rallonge trop longs et/ou de calibre trop faible

réduisent la puissance d'alimentation du moteur pendant l'utilisation.

- En cas de surcharge du moteur, le témoin de surcharge s'allume. Attendre deux minutes et essayer à nouveau. Lorsque cela ne suffit pas, communiquer avec un atelier d'entretien agréé.
- S'assurer que les rallonges ne sont pas endommagées.

## Transport et entreposage

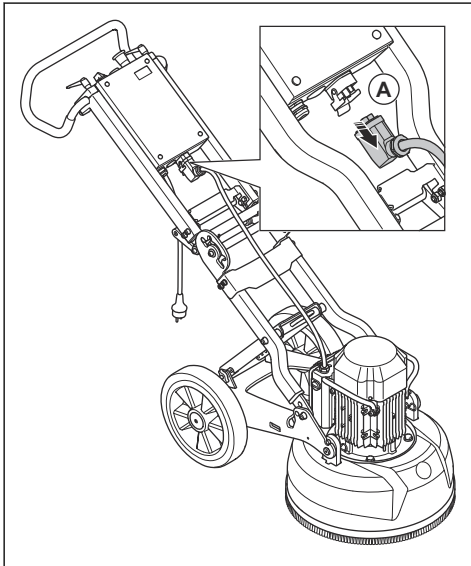
### Pour régler l'outil à la position de transport

Placer une protection adéquate sur le produit pendant le transport. La protection garde le produit à l'abri des éléments tels que la pluie et la neige.

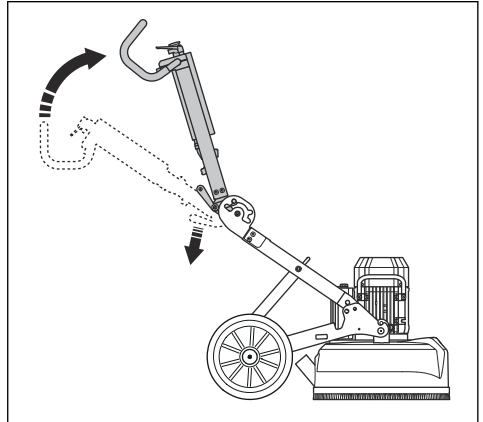
Le produit peut être séparé en deux composants. Cela facilite le transport.

Toujours déplacer le produit au moyen de l'anneau de levage et du guidon.

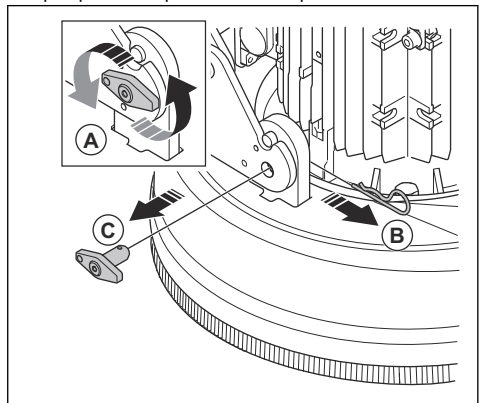
1. Débrancher le câble du moteur du boîtier électrique (A).



2. Appuyer la poignée sur la charnière centrale et en même temps replier le châssis supérieur vers l'avant pour le placer à la position de transport.



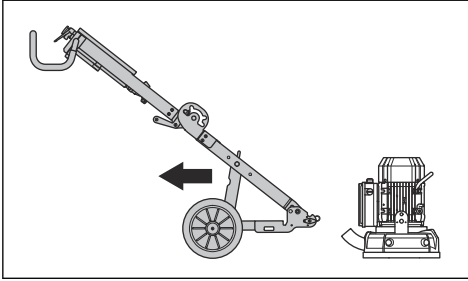
3. Desserrer les boulons de verrouillage (A) de quelques tours pour relâcher la pression.



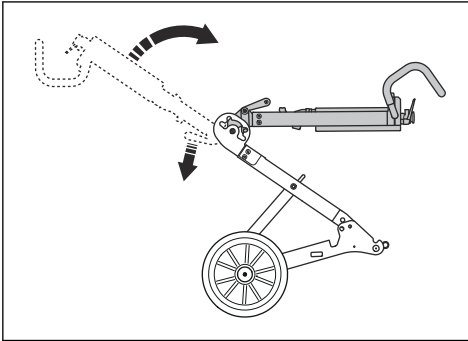
4. Retirer les goupilles de verrouillage (B) et retirer les boulons (C) de chaque côté de la tête de meulage.



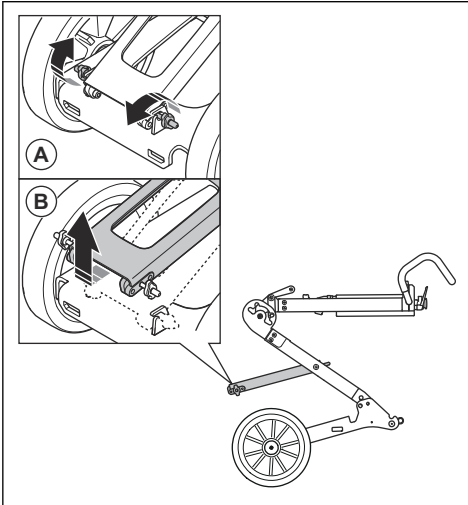
5. Retirer le châssis de roue de la tête de meulage.



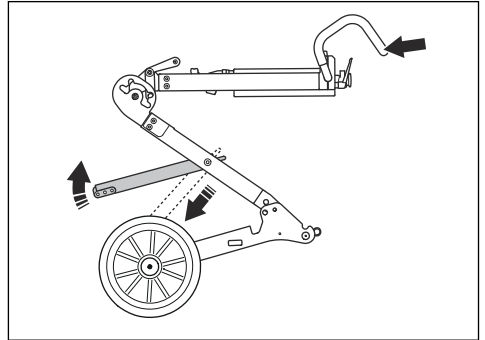
6. Appuyer la poignée sur la charnière centrale et en même temps replier le châssis supérieur vers l'avant. Le produit se trouve à la position de levage.



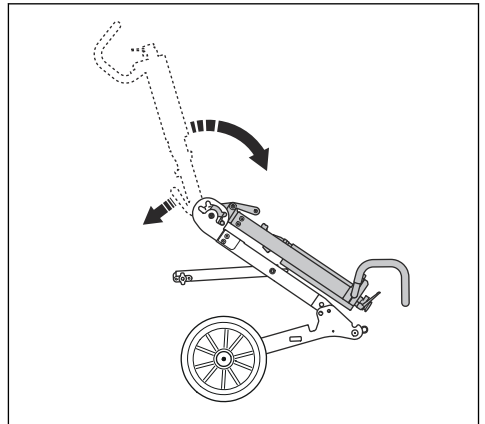
7. Retirer les boutons de verrouillage (A) pour desserrer le pied de support (B).



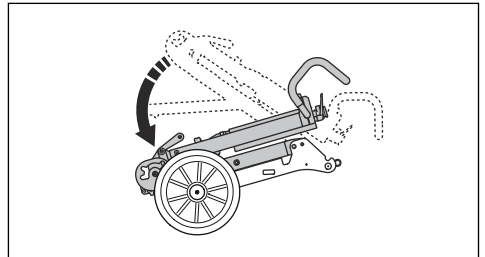
8. Tenir le guidon pour garder le châssis stable et lever le pied d'appui vers l'extérieur et vers le haut.



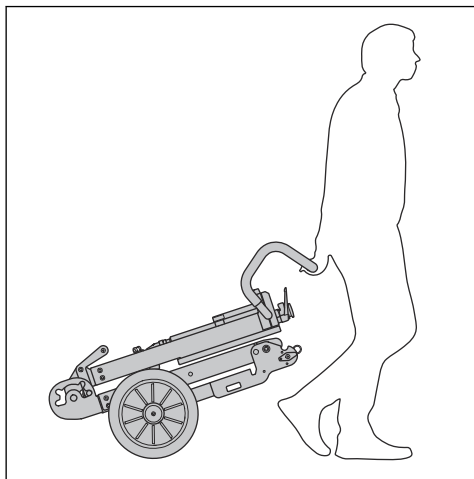
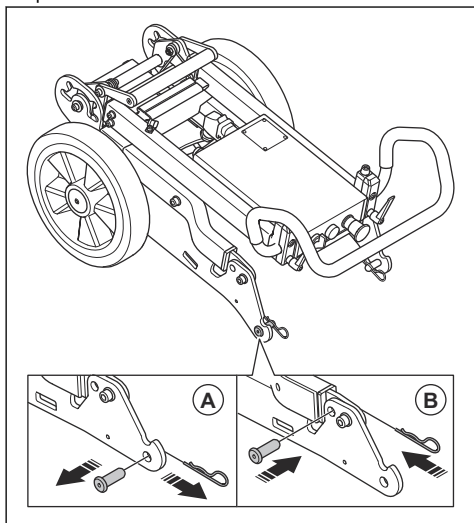
9. Tenir le guidon d'une main et pousser la poignée sur la charnière centrale. Cette procédure rabat le produit à la position rabattue.



10. Rabattre le produit avec soin.



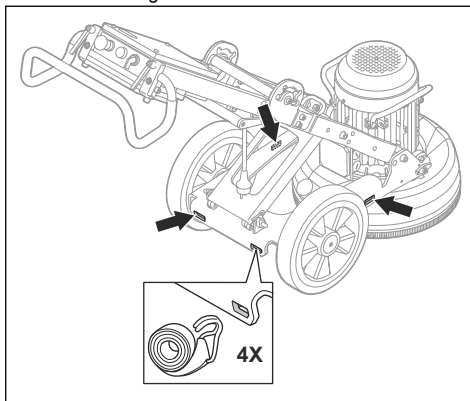
- Placer la goupille de blocage et bloquer la vis de la position (A) à la position (B) pour verrouiller le produit.



## Pour monter le produit sur un véhicule pour le transport

Monter le produit lors du transport afin d'éviter les accidents et les dommages à l'équipement. Le produit est doté de trous qui sont utilisés avec les sangles pour monter le produit sur le véhicule.

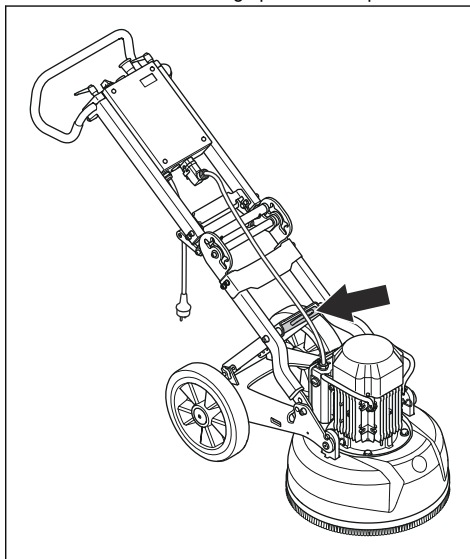
- Monter la sangle dans les trous.



- Fixer et serrer la sangle sur le véhicule.

## Levage du produit

- Utiliser l'anneau de levage pour lever le produit.



- Vérifier que le produit est en équilibre avant de le lever. Demander à quelqu'un de vous aider à lever le produit.

## Entreposage du produit

- Garder le produit dans un endroit verrouillé hors de portée des enfants et des personnes non autorisées.
- Conserver le produit dans un endroit sec à l'abri du gel.

---

## Données techniques

---

### Données techniques

	Monophasé, 220 – 240 V		Monophasé, 100 – 120 V	
	50 Hz	60 Hz	50 Hz	60 Hz
Moteur	50 Hz	60 Hz	50 Hz	60 Hz
Puissance du moteur, kW/hp	2,2/3,0	2,2/3,0	1,5/2,0	1,1/1,5
Intensité nominale, A	13	13	20	15
Tension nominale, V	220-240	220-240	100-120	100-120
Poids, kg/lb	109/240,3	109/240,3	109/240,3	109/240,3
Largeur de meulage, mm/po	450/17,7	450/17,7	450/17,7	450/17,7
Diamètre du disque de meulage, mm/po	3 x 180/3 x 7,1	3 x 180/3 x 7,1	3 x 180/3 x 7,1	3 x 180/3 x 7,1
Pression de meulage, kg/lb	59/130	59/130	59/130	59/130
Vitesse à laquelle la plaque de l'outil tourne, tr/min	705	865	470	575



# **HTC Professional Floor Systems**

[www.htc-floorsystems.com](http://www.htc-floorsystems.com)

Original instructions  
Instrucciones originales  
Instructions d'origine

1140937-49



2018-11-26