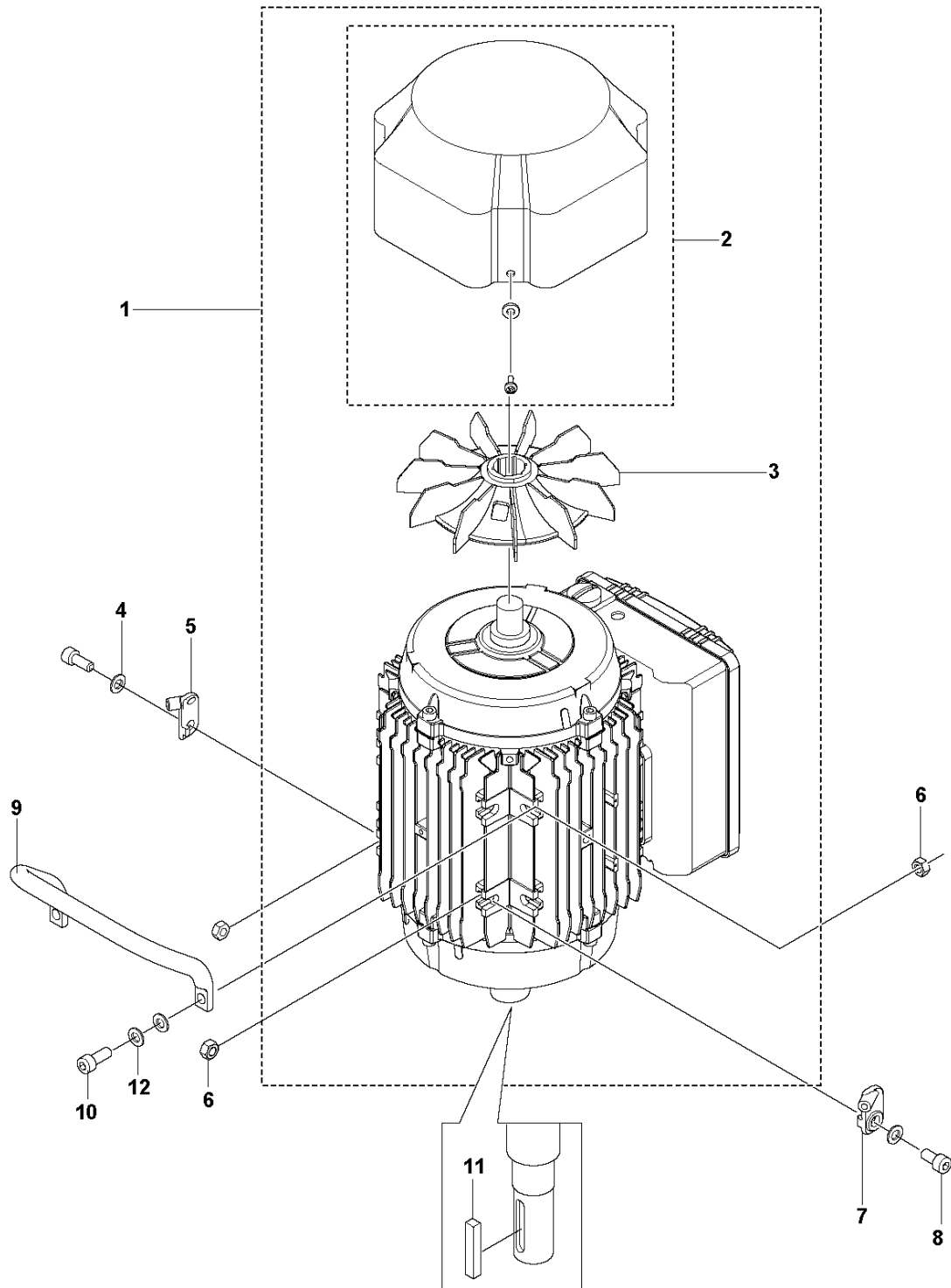


SPARE PARTS LIST

SURFACE PREPARATION EQUIPMENT

HTC 280, 2019-01

A HTC 280 Motor
MOTOR 1-PHASE

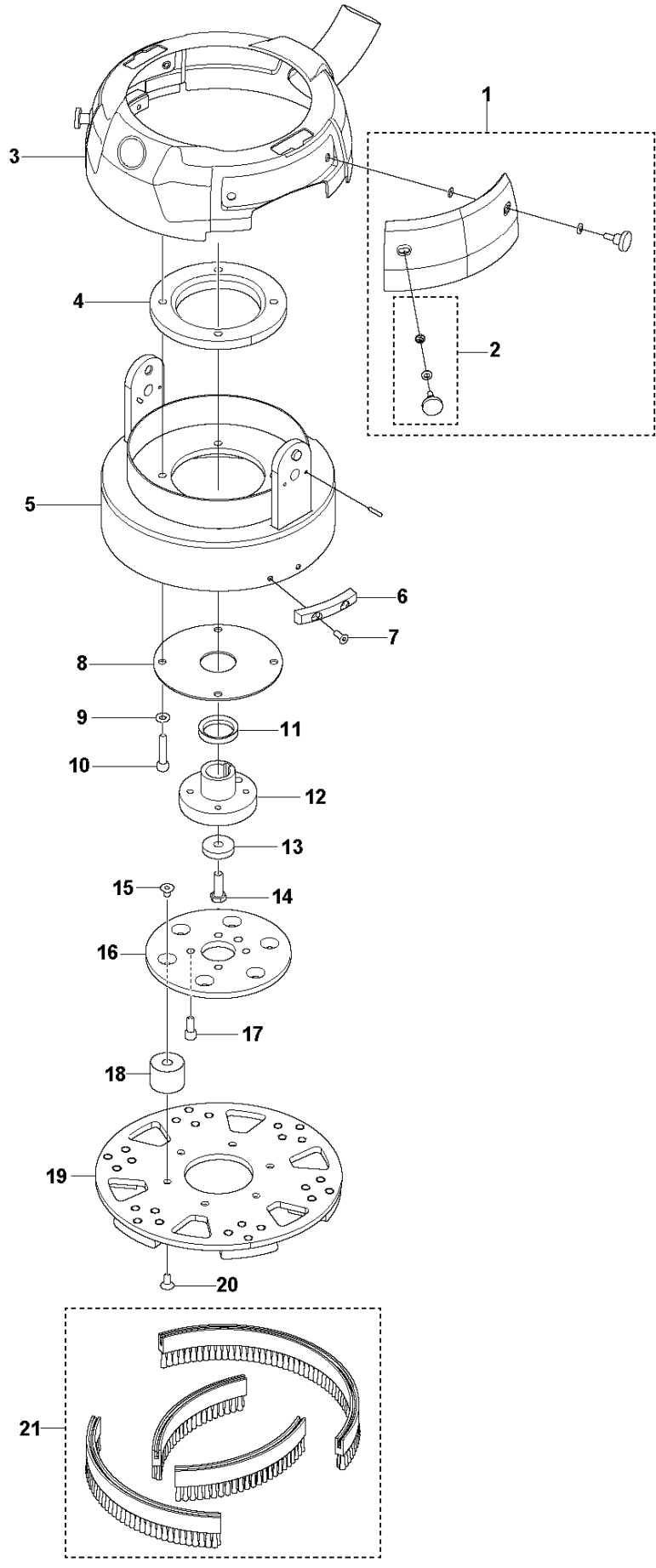


MOTOR 1-PHASE

HTC 280, 2019-01

Ref	Part No	Description	Remark	QTY KIT	
1	585 30 19-03	MOTOR	1-PH EU/AU 230V	1	
1	585 30 21-03	MOTOR	1-PH UK 120V	1	
1	585 30 19-04	MOTOR	1-PH US 220V	1	
1	594 73 61-02	MOTOR	1-PH US 120V	1	
2	597 33 90-01	FAN COVER		1	2
3	587 17 47-01	FAN		1	1
4	734 11 63-01	WASHER		6	
4	734 11 65-41	WASHER	HDX variant	6	
5	588 13 38-02	BRACKET		1	
6	731 23 18-01	HEXAGON NUT		4	
7	588 13 38-01	BRACKET		1	
8	725 54 51-01	SCREW IHSCM		2	
9	585 42 33-04	HANDLE		1	
10	725 54 53-01	SCREW IHSCM		4	
11	597 27 18-01	PARALLEL KEY		1	
12	734 11 63-01	WASHER		1	

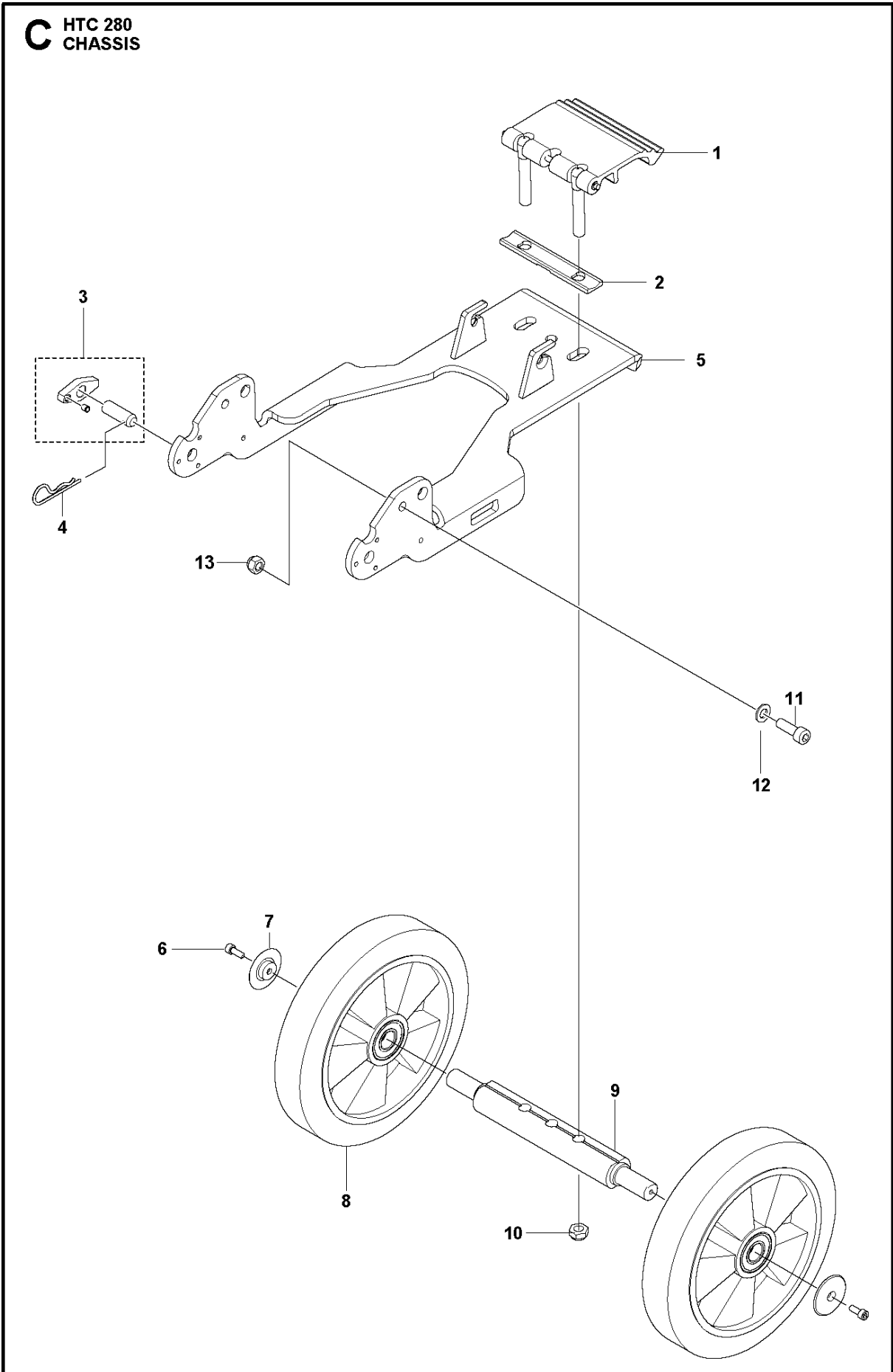
B HTC 280
GRINDING HEAD



GRINDING HEAD

HTC 280, 2019-01

Ref	Part No	Description	Remark	QTY	KIT
1	597 26 60-01	LID ASSY		2	
2	597 26 65-01	SCREW KIT		4	1
3	595 83 77-01	DUST COVER		1	
4	585 52 44-02	SPACER		1	
5	585 14 60-02	DUST COVER		1	
6	585 41 11-02	BRACKET		2	
7	725 63 69-01	SCREW IHCSFM		4	
8	589 78 74-01	DIAMOND BLADE		1	
9	734 11 63-01	WASHER		4	
10	725 54 59-01	SCREW IHSCM		4	
11	589 92 58-01	V-RING		1	
12	585 51 47-01	HUB		1	
13	510 23 51-01	WASHER		1	
14	725 24 95-71	SCREW EHHM		1	
15	725 64 47-55	SCREW IHCSFM		6	
16	510 21 30-02	ATTACHMENT PLATE		1	
17	725 54 51-55	SCREW IHSCM		4	
18	510 21 31-01	DAMPER		6	
19	596 47 49-01	DISC		1	
20	725 64 49-55	SCREW IHCSFM		6	
21	582 63 99-02	BRUSH KIT		1	

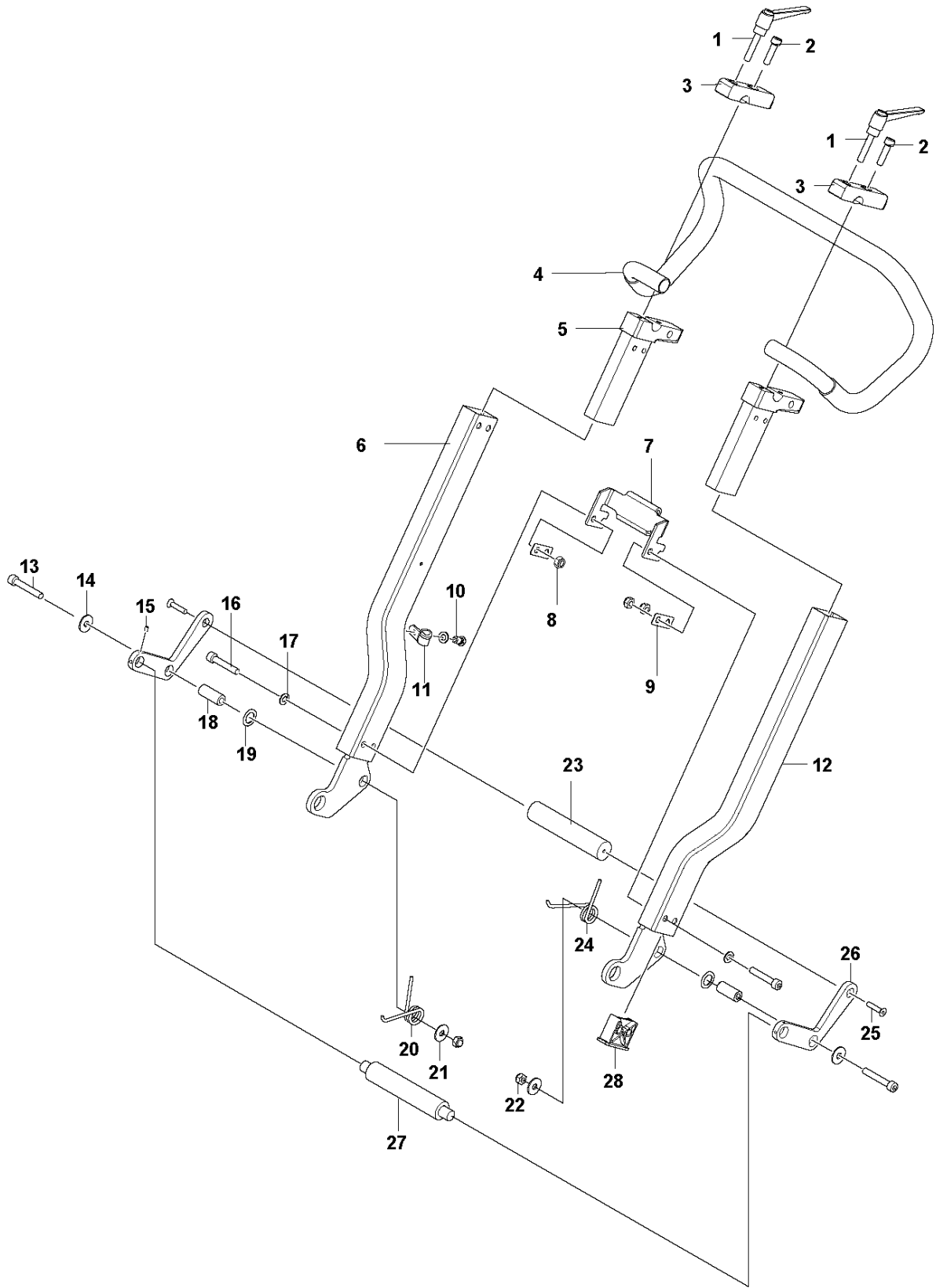


CHASSIS

HTC 280, 2019-01

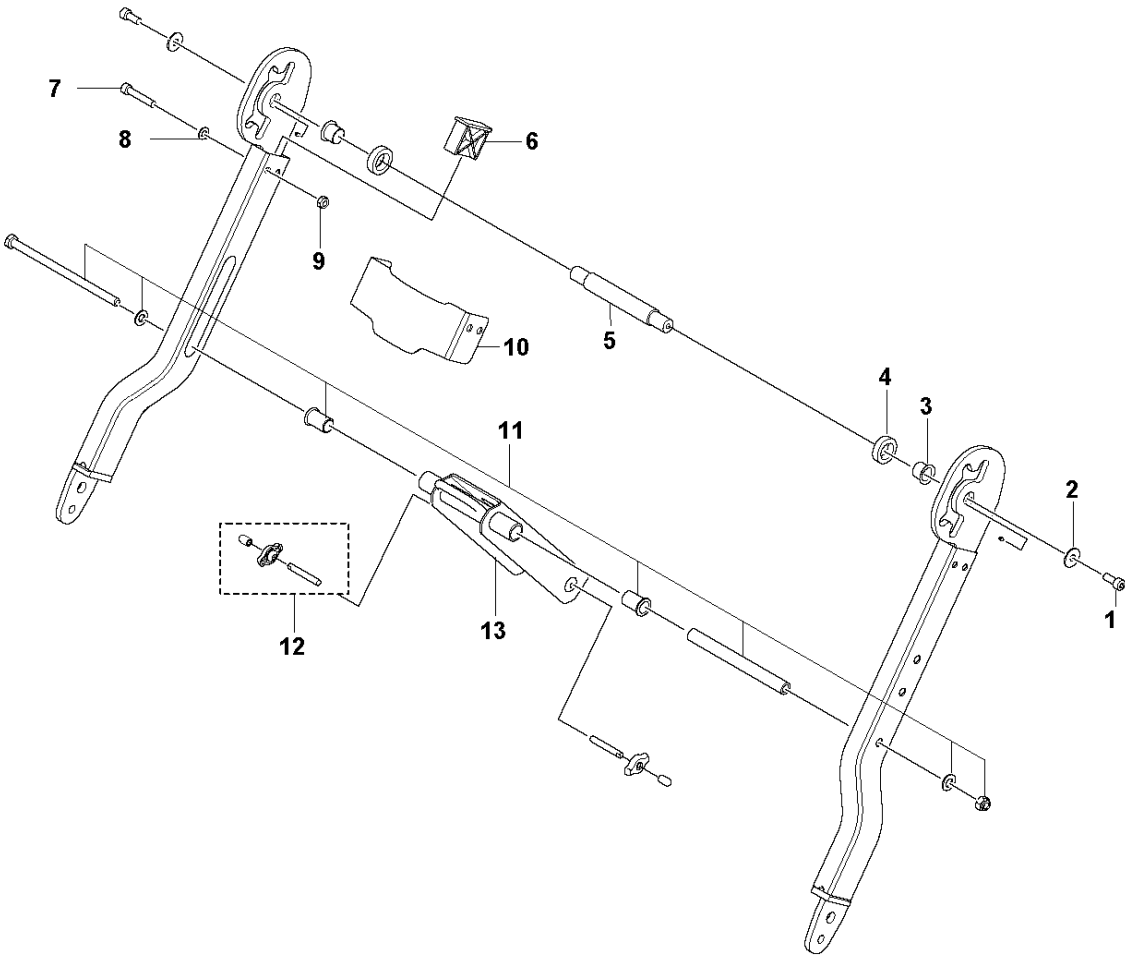
Ref	Part No	Description	Remark	QTY KIT
1	587 03 29-01	PEDAL ASSY		1
2	586 92 75-01	WASHER		1
3	586 99 17-01	BOLT		2
3	586 99 17-03	BOLT	HDX variant only	2
4	721 68 02-51	SPRING COTTER		2
5	585 14 05-02	FRAME		2
6	725 53 68-51	SCREW IHSCM		2
7	501 32 12-01	WASHER		2
8	504 18 55-01	WHEEL		2
9	585 14 12-01	AXLE		1
10	732 25 22-01	HEXAGON LOCKING NUT		2
11	725 54 95-01	SCREW IHSCM		2
12	734 11 72-01	WASHER		2
13	732 25 20-01	HEXAGON LOCKING NUT		2

D HTC 280
Frame



Ref	Part No	Description	Remark	QTY KIT
1	585 12 92-01	LOCKING HANDLE		2
2	725 54 55-21	SCREW IHSCM		2
3	585 51 66-01	BRACKET		2
4	594 90 56-01	HANDLE TUBE		1
5	589 83 77-01	BRACKET		2
6	585 57 35-07	FORK		1
7	585 38 28-03	BRACKET		1
8	732 21 18-01	LOCK NUT		8
9	585 38 31-01	WASHER		2
10	725 53 68-01	SCREW IHSCM		1
11	589 66 91-01	CLIP	AUS/US 220V	1
11	589 66 91-02	CLIP	EU/UK/US 120V	
12	585 57 35-08	FORK		1
13	725 54 60-01	SCREW IHSCM		8
14	734 11 63-01	WASHER		8
15	728 82 85-01	SCREW IHSETM		6
16	725 54 61-01	SCREW IHSCM		2
17	734 11 64-41	WASHER		4
18	585 38 33-02	SLEEVE		2
19	585 41 62-01	WASHER		2
20	585 41 73-01	SPRING		1
21	734 11 65-41	WASHER		4
22	732 21 18-01	LOCK NUT		2
23	585 13 29-01	SPACER		4
24	585 41 61-01	SPRING		1
25	725 63 74-51	SCREW		2
26	585 13 33-01	PLATE		2
27	585 13 38-02	ROD		1
28	585 13 29-01	SPACER		2

E HTC 280
Frame

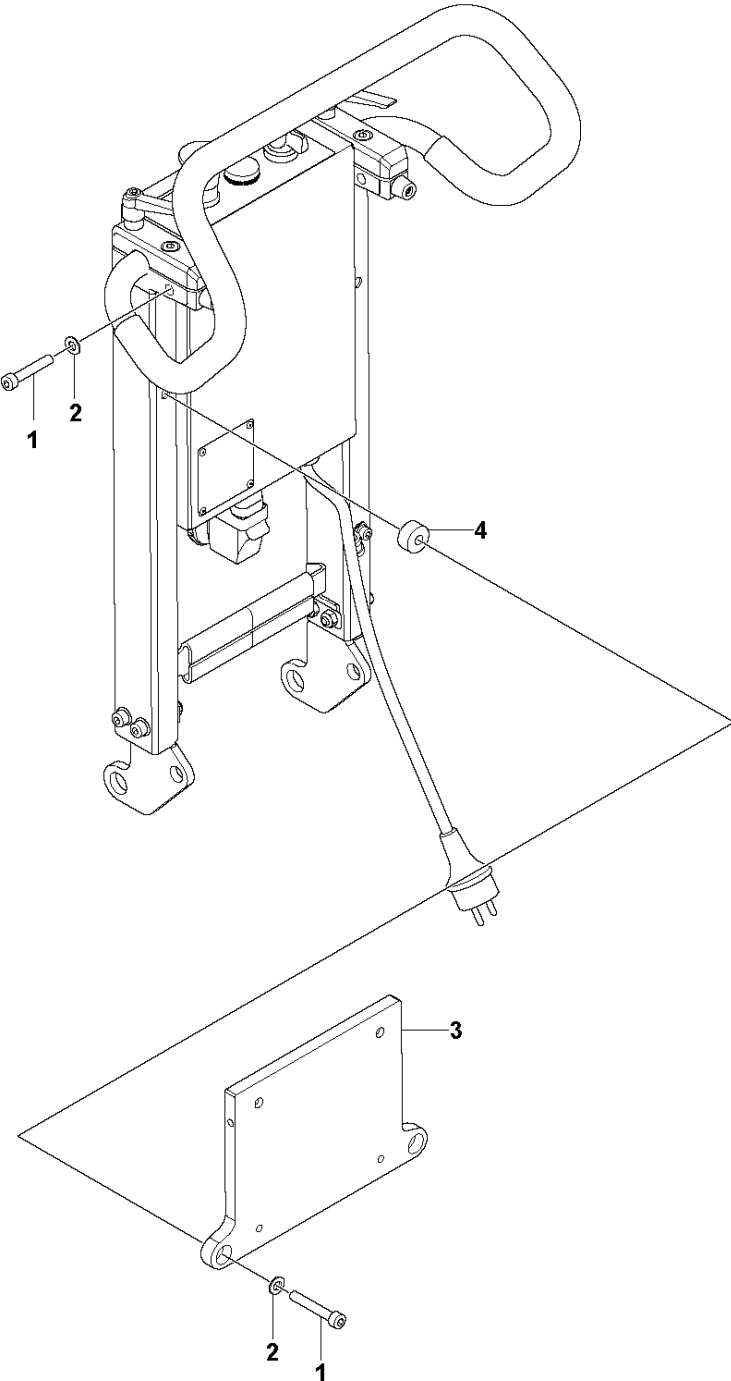


FRAME

HTC 280, 2019-01

Ref	Part No	Description	Remark	QTY KIT
1	732 21 18-01	LOCK NUT		2
2	734 11 65-41	WASHER		2
3	585 41 60-01	BUSH		2
4	585 13 35-01	SPACER		2
5	585 13 36-02	TUBE		1
6	585 13 29-01	SPACER		4
7	725 54 60-01	SCREW IHSCM		8
8	734 11 63-01	WASHER		8
9	732 25 18-01	HEXAGON LOCKING NUT		10
10	585 38 30-06	BRACKET		1
11	593 90 94-01	CROSSBAR		1
12	590 47 22-01	WING KNOB		2
13	585 14 18-02	SUPPORT		1
14	593 89 71-01	FRAME TUBE		1

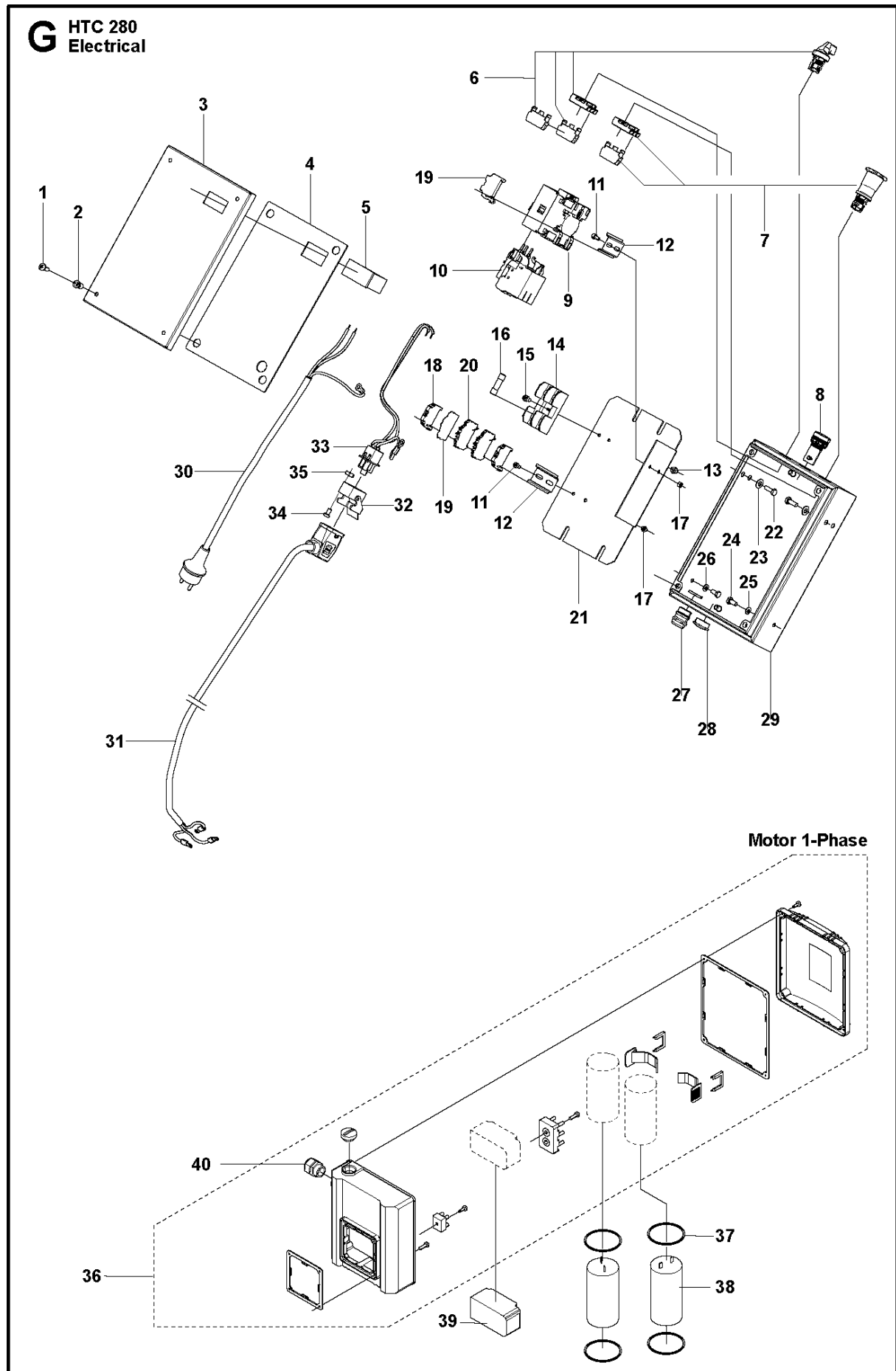
F HTC 280
WEIGHT KITS



WEIGHT KITS

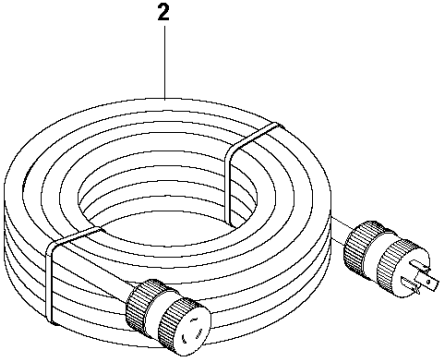
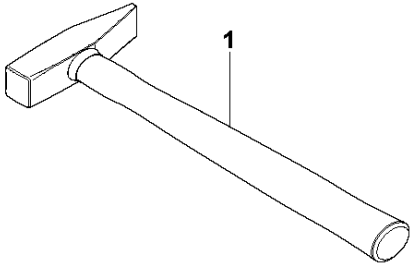
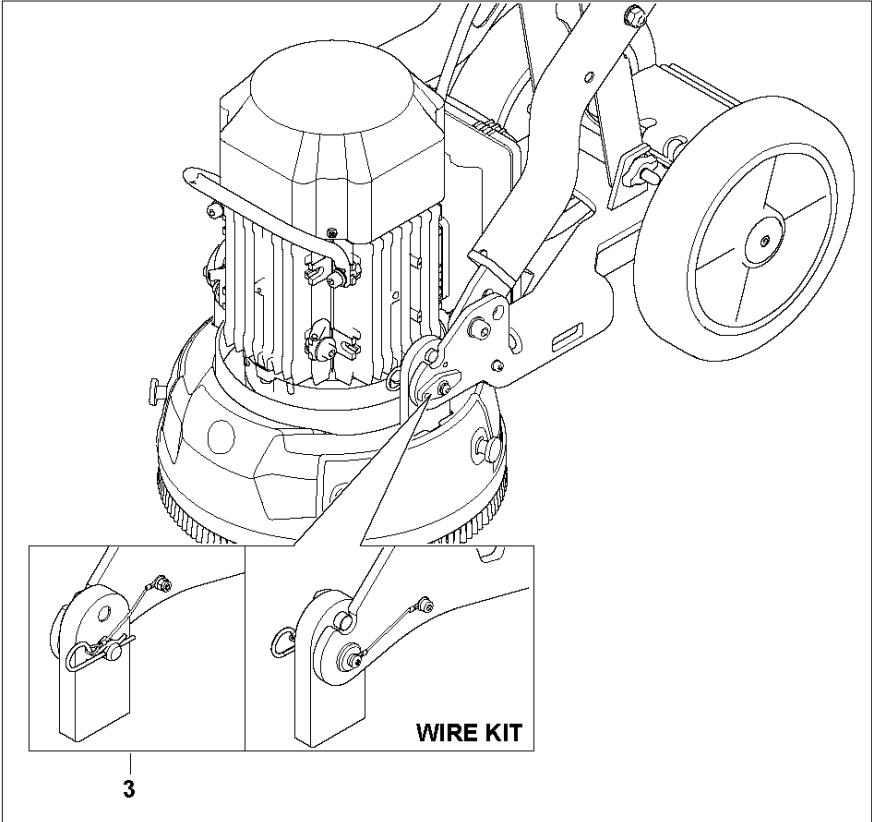
HTC 280, 2019-01

Ref	Part No	Description	Remark	QTY KIT
1	725 54 60-01	SCREW IHSCM		4
2	734 11 63-01	WASHER		4
3	589 83 71-03	COUNTERWEIGHT		1
4	590 20 34-01	BUSHING		2



Ref	Part No	Description	Remark	QTY KIT
1	724 13 68-51	SCREW CRPANM		4
2	521 88 66-01	RIVET		4
3	586 47 43-04	LID		1
4	586 46 70-02	SEALING		1
5	584 29 63-01	HOUR METER		1
6	586 99 15-01	SWITCH KIT		1
7	586 99 16-01	SWITCH KIT		1
8	584 29 71-01	LAMP	230V	1
8	584 29 71-02	LAMP	110V	1
9	585 36 58-01	CONTACTOR	200-230V, 50/60Hz	1
9	585 36 58-02	CONTACTOR	100-120V, 60Hz	1
9	586 99 18-01	CONTACTOR	100-120V, 50Hz	1
10	584 29 78-01	RELAY	2.2kW, 60Hz	1
10	580 62 35-02	PROTECTION	2.2kW, 50Hz/1.1kW, 60Hz	1
10	584 29 78-05	RELAY	1.5kW, 50Hz	1
11	725 53 25-01	SCREW IHSCM		4
12	522 74 70-01	RAIL		2
13	731 23 16-01	HEXAGON NUT		1
14	525 88 26-01	FUSE HOLDER		1
15	725 53 64-55	SCREW IHSCM		1
16	525 63 81-01	FUSE		1
17	732 25 14-01	HEXAGON LOCKING NUT		4
18	585 36 61-05	TERMINAL BLOCK		3
19	585 36 61-03	TERMINAL BLOCK		1
19	585 36 61-07	TERMINAL BLOCK	US 1ph 100-120V	1
20	585 61 35-01	TERMINAL BLOCK		2
20	585 36 61-01	TERMINAL BLOCK	US 1ph 100-120V	2
21	590 07 58-01	MOUNTING PLATE		1
22	725 24 51-71	SCREW EHHM		4
23	734 11 63-01	WASHER		4
24	725 23 66-51	HEXAGONAL SCREW M6X12		2
25	734 11 52-01	WASHER		1
26	735 21 53-01	LOCKWASHER		4
27	575 48 98-01	GROMMET		1
28	586 58 69-01	PLUG		1
29	582 50 69-05	ELECTRONIC BOX		1
30	586 23 68-03	CABLE	1-ph EU 230V 16A	1
30	586 23 68-02	CABLE	1-ph AU 230V 15A	1
30	586 23 68-06	CABLE	1-ph UK 110V 32A	1
30	586 23 68-11	CABLE	1-ph US 230V 20A	1
30	586 23 68-14	CABLE	1-ph US 110V 15A	1
31	585 63 81-03	CABLE	EU, UK, AU	1
31	585 63 81-05	CABLE	US/CAN 220-240V	1
31	585 63 81-12	CABLE	US/CAN 100-120V	1
32	585 36 66-05	CONNECTOR		1
33	590 50 35-01	CONNECTOR		1
34	725 52 24-01	SCREW		2
35	732 25 10-01	HEXAGON LOCKING NUT		2
36	587 17 39-01	ELECTRONIC BOX		1
36	587 17 39-02	ELECTRONIC BOX		1
37	587 17 45-01	CAPACITOR	RUN 230V 50/60Hz	1
37	587 17 45-02	CAPACITOR	RUN 120V 1.5kW 50/60Hz	1
37	587 17 45-04	CAPACITOR	RUN 120V 1.1kW 60Hz	1
38	587 17 44-01	CAPACITOR	START 230V 50Hz	1
38	587 17 44-02	CAPACITOR	START 230V 60Hz	1
38	587 17 44-03	CAPACITOR	START 120V 1.5kW 50/60Hz	1
38	587 17 44-05	CAPACITOR	START 120V 1.1kW 60Hz	1
39	587 17 43-01	SWITCH	230V, 50Hz	1
40	510 43 17-02	CABLE GROMMET		1

H HTC 280
ACCESSORIES



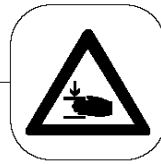
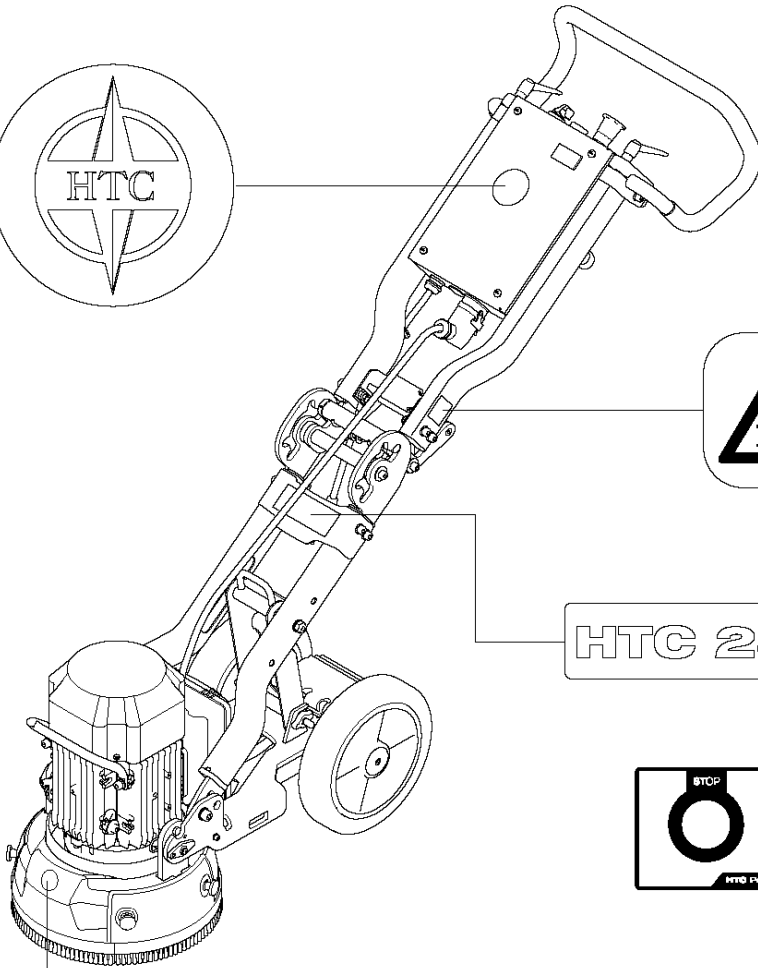
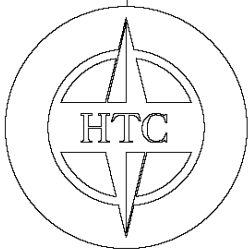
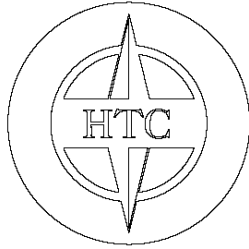
ACCESSORIES

HTC 280, 2019-01

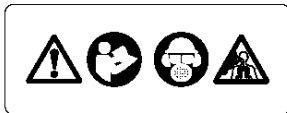
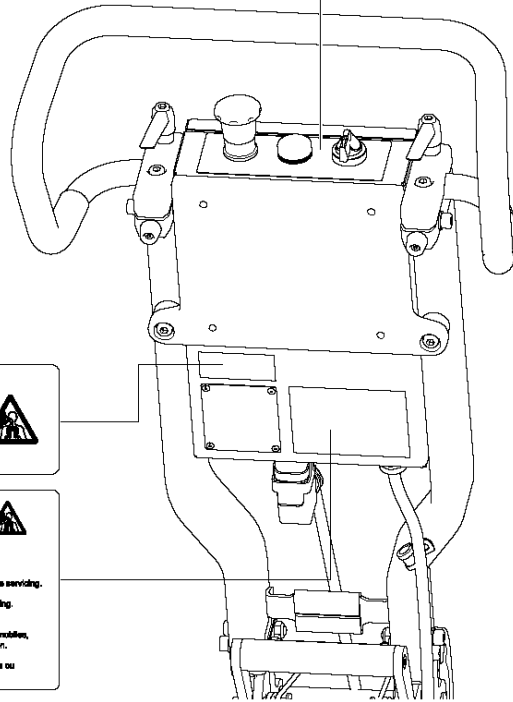
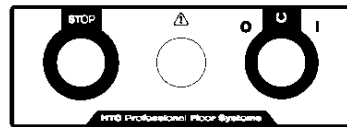
Ref	Part No	Description	Remark	QTY KIT
1	522 03 97-01	HAMMER		1
2	590 24 08-02	EXTENSION CABLE	1-PH 230V US	1
2	590 24 08-04	EXTENSION CABLE	1-PH 120V US	1
3	597 30 74-01	WIRE		1

**HTC 280
DECALS**

1



HTC 280



⚠ WARNING
CAUTION
To reduce risk of injury from moving parts, unplug before servicing.
AVERTISSEMENT
Déconnecter du circuit d'alimentation avant le nettoyage ou l'entretien.

DECALS

HTC 280, 2019-01

Ref	Part No	Description	Remark	QTY KIT
1	597 24 87-02	DECAL SYSTEM		1